



Fire-Rated and Smoke-Tight Tubular Frame Parts

T30 aluminium tubular frame parts for external use
T30 aluminium tubular frame parts with frame without face







| | |
|----|---|
| 4 | Hörmann brand quality |
| 6 | Sustainable Production |
| 7 | Architects' Program |
| 8 | Good reasons to try Hörmann |
| 10 | Overview of door functions |
| 12 | Aluminium sliding door systems |
| 12 | T30 automatic sliding doors ASW / ASV |
| 16 | Escape route sliding door system combination AS 30 / FR |
| 20 | Aluminium fire and smoke protection elements |
| 20 | System overview with profile dimensions |
| 22 | Features |
| 24 | F30 / F90 aluminium system wall |
| 26 | T30 / F30 aluminium fire and smoke protection elements |
| 28 | Aluminium frame without face |
| 29 | T30 aluminium fire-rated and smoke-tight doors |
| 31 | T60 / F60 aluminium fire and smoke protection elements |
| 33 | T90 / F90 aluminium fire and smoke protection elements |
| 34 | Aluminium smoke protection elements |
| 35 | Aluminium smoke protection elements, insulated |
| 36 | Clear passage |
| 37 | Fixed glazings |
| 40 | Steel fire and smoke protection elements |
| 40 | System overview with profile dimensions |
| 42 | Features |
| 44 | F30 steel system wall |
| 46 | T30 steel fire and smoke protection elements S-Line |
| 47 | F30 / G30 steel fire and smoke protection elements S-Line |
| 49 | Steel smoke protection elements S-Line |
| 50 | T30 steel fire and smoke protection elements N-Line |
| 51 | F30 / G30 steel fire and smoke protection elements N-Line |
| 53 | Steel smoke protection elements N-Line |
| 54 | Clear passage |
| 55 | Fixed glazings |
| 56 | T90 / F90 steel fire and smoke protection elements |
| 58 | System overview with profile dimensions |
| 59 | Clear passage |
| 60 | Special equipment |
| 61 | Door operator HDO 200 / 300 |
| 62 | Locks / panic locks / push bars |
| 64 | Overhead door closers |
| 66 | Hörmann product range |

The colours and surface finishes shown are subject to the limitations of the printing process and cannot be regarded as binding.

All rights reserved. No part may be reproduced without our prior permission. Subject to changes.

Image on left: Charité Berlin with Hörmann products

Hörmann Brand Quality

Top safety and reliability

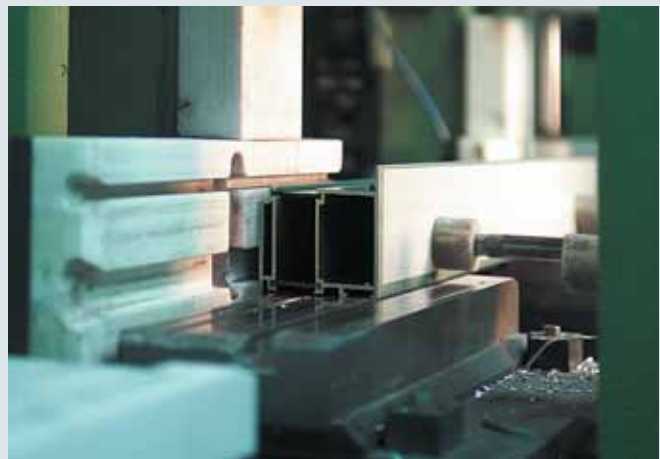


DB Hammerbrook headquarters in Hamburg with Hörmann products



In-house product development

Growing and constantly changing functional and safety requirements necessitate continuous new construction / equipment developments and improvements, especially when it comes to moveable construction components such as doors. In this area, our qualified development teams time and again prove their great specialised expertise.



Highly sophisticated production methods

We at Hörmann rely on the latest production technology at our specialised factories. Computer-controlled operations ensure dimensionally accurate elements with perfectly fitted fittings and functional parts.



In the course of several decades, Hörmann has continuously developed its fire protection programme into today's complete range. In addition to this multifarious range of products for construction projects, Hörmann also offers individual solutions with case by case approval.

Highly-specialised factories develop and produce construction components that are marked by excellent quality, functional safety and a long service life.

Our presence in the global economy's key regions makes us a strong, future-oriented partner for industrial and public construction projects.



Fire testing at own fire test chamber

Our new and further developments are constantly tested for the required fire resistance and smoke-tightness through in-house fire tests at our fire testing centre. The knowledge gained from these tests ensures high fire protection for buildings. They also allow us to optimally prepare our innovations for the official inspections by the accredited testing centres for official approvals.

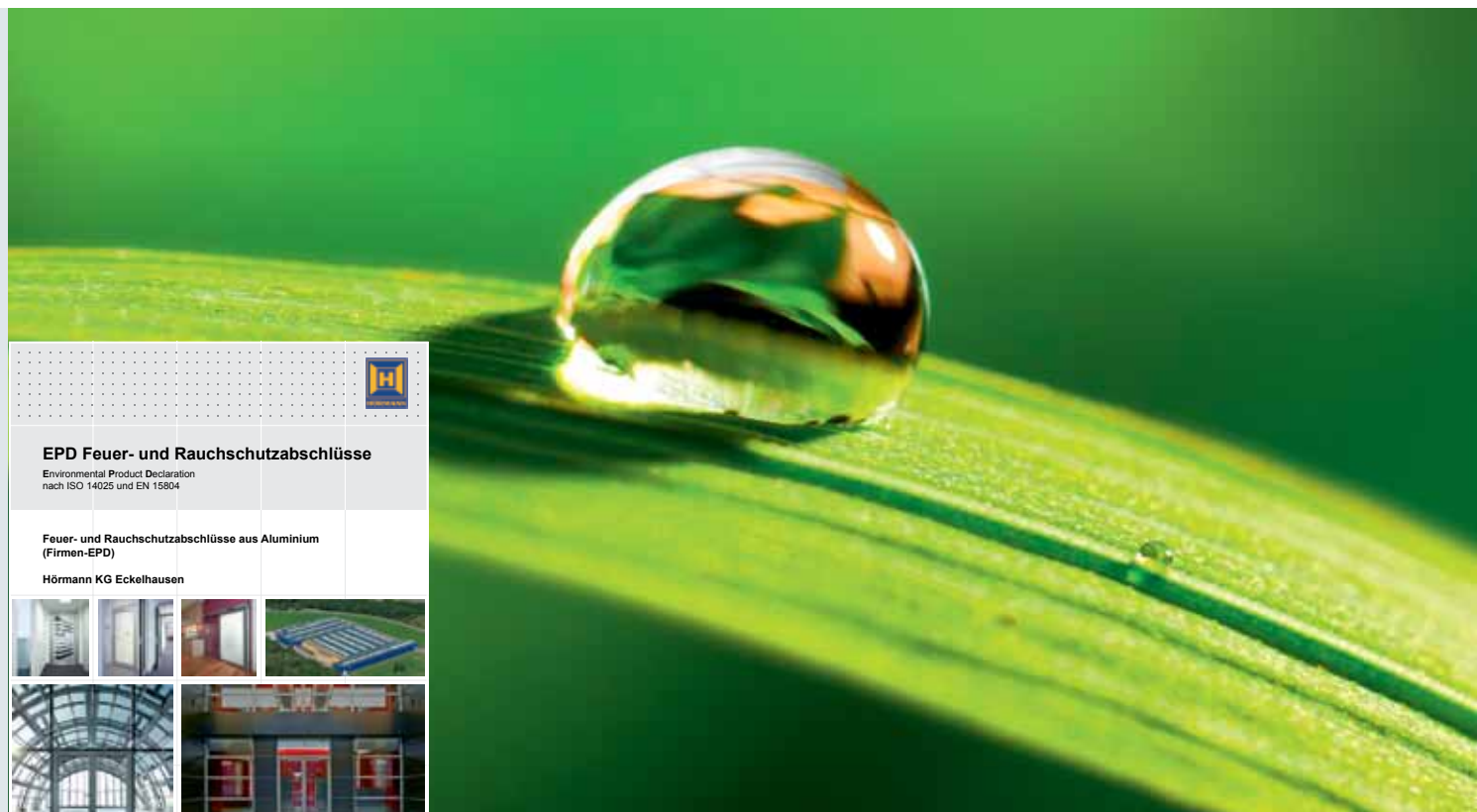


Expert building support

Experienced specialists within our customer-oriented sales organisation accompany you from the planning stage, through technical clarification up to the final building inspection.

Expert fitting is guaranteed by experienced Hörmann fitters and the specialised trained staff of Hörmann's partners.

Sustainable Production for Trend-Setting Construction



Sustainability documented and approved by the ift in Rosenheim

Hörmann has received confirmation of the sustainability of all its hollow profiled section doors through an environmental product declaration (EPD)* in accordance with ISO 140425 from the Institut für Fenstertechnik (ift – Institute of window technology) in Rosenheim. The inspection was based on the Product Category Rules (PCR) Doors and Gates from ift Rosenheim GmbH, issue PCR-TT-0.1. Environmentally-friendly production was confirmed by a life-cycle analysis in accordance with DIN EN 14040 / 14044 for all doors.

Sustainably produced hollow profiled section doors from Hörmann

- **Environmentally friendly production**
Among other things, the solvent-free powder coating at the factory, which can be treated on-site with limited-VOC paints or primers.
- **Regional raw materials**
The majority of applied raw materials are purchased from Germany and central Europe.
- **Durable, low maintenance products**
Our hollow profiled section doors are approved in functional tests with more than 200000 cycles.

Sustainable construction with Hörmann's expertise

Hörmann has been able to gain great expertise in sustainable construction through various projects. We also apply this know-how to support your projects. Another advantage: For every project order, the required data for LEED certification are automatically generated.



DGNB
Deutsche Gesellschaft für Nachhaltiges Bauen e.V.
German Sustainable Building Council



Institut Bauen und Umwelt e.V.



Hörmann's Architects' Program

More than 9000 drawings for over 850 products



The Architects' Program

Planning with Hörmann products is now even easier thanks to a modern, user-friendly interface. Clearly structured navigation via drop-down menus and symbols, as well as a search function, give you faster access to tender specifications and drawings (in DWG and PDF format) of over 850 Hörmann products. Photo-realistic presentations provide additional information on many products. The Architects' Program can be downloaded free-of-charge from the Hörmann Architects' Forum.

Good Reasons to Try Hörmann

3 system profiles for all demands in construction projects



1

**For any
requirement**

Hörmann offers a wide range of fully glazed tubular frame door sets for T30, T60, T90, acoustic-rated or smoke-tight as well as safety requirements. In addition, T30 aluminium fire-rated doors have a general official approval for use in exterior walls. In the respective systems (aluminium, steel N-Line or steel S-Line), the doors match the various requirements.

2

**Aluminium frame
without face**

T30 aluminium fire-rated and smoke-tight doors are exclusively available without visible frame face on the hinge side. This results not only in an elegant door appearance, but also a larger passage width of up to 55 mm. This version is tested by the DIBt in accordance with general official approval.



3

Barrier-free access

Hörmann automatic hinged doors enable barrier-free passage and are universally applicable. Our hollow profiled section doors are equipped with the corresponding operator already at the factory. You can operate the automatic doors conveniently via a button, radar or movement detector or Hörmann operating elements with BiSecur radio technology, such as the convenient hand transmitter.

4

Tested today for the future

According to the European product standard EN 16034

The steel and aluminium tubular frame parts are designed in accordance with European fire protection requirements and are geared towards the product standard EN 16034 as well as tested according to DIN 4102 and EN 1634. For you this means that, after they come into effect, these product standards will replace country-specific approvals. Only these European standards and any relevant country-specific requirements now apply when planning your fire-rated doors.

Always the Perfect Solution for Your Requirements

Fire-retarding, smoke-tight, acoustic-rated, break-in-resistant, as an external door



T30**T60****T90****RS**

Fire-rated and smoke-tight doors

Smoke and fire damage can have fatal, life-threatening consequences. This makes safe equipment with fire-rated and smoke-tight doors even more crucial. It's a good thing that you can rely on tested, officially approved Hörmann fire-rated and smoke-tight doors.

**dB**

Acoustic-rated doors

Noise not only reduces the ability to concentrate, but can also trigger stress and result in permanent illness. This is why it is important to best insulate noise at its point of origin. Hörmann acoustic-rated doors make a major contribution with acoustic values of up to 42 dB.

**RC 2****RC 3**

Security doors

Safety first! Hörmann break-in-resistant doors have been tested and certified in accordance with European standard DIN ENV 1627 since 2001. Security doors in resistance class RC 2 / RC 3 also equipped with an anti-panic function, reliably secure your emergency exits against break-in attempts.



External Doors

Until now, the application of fire-rated doors in exterior walls was only possible in individual cases with explicit approval. Hörmann provides a solution for this and offers T30 aluminium fire-rated doors with general official approval for the use in exterior walls.



T30 Automatic Sliding Doors ASW / ASV

Perfection and transparency in the most limited space –
with general official approval



T30

Fire-retarding
DIN 4102

RS

Smoke-tight
DIN 18095



Recommended for barrier-free construction



Personal safety according to EN 16005

At a glance:

- Matching the Hörmann aluminium fire-rated and smoke-tight sets
- Maximum clear passage width up to 1200 mm (single-leaf), 2500 mm for double-leaf doors, maximum clear passage height up to 2500 mm
- No guide rail in the passage area
- GEZE operator Slimdrive SL-T30 with only 70 mm installation height
- Approved for fitting in brickwork / concrete and in partition walls
- General official approval by the DIBt



Narrow profile view of the operator with only 70 mm installation height

DIBt
Deutsches Institut für Bautechnik
ANSTALT DER OFFIZIÖSEN REGIERUNG
Zustandsgesamtheit für Konstruktion und Bauteile
Bauteiltechnisches Prüfamt
Hauptstadt: Berlin, Bundesrepublik
Technische Zulassung: DIBt und die Europäischen Länder
für den allgemeinen Bauverkehr (DIBt)

Tel.: +49 30 18733-0
Fax: +49 30 18733-206
E-Mail: DIBt@DIBt.de

Seit: 2. Oktober 2008
Gültigkeitsdauer: 20 11.1.2012-31.12.2037

Zulassungsnr.: 7-6-20-1997
Dokumentnr.: 31. Oktober 2013

Abgegeben: Hörmann AG Kiefelhaus
Industriepark, 56223 Ruffelen

Zulassungsumfang:
T 30-3-FSA "RSV-2" Baum. T 30-3-05-FSA "RSV-1" Baum.
T 30-3-FSA "RSV-2" Baum. T 30-3-05-FSA "RSV-1" Baum.
T 30-3-FSA "RSV-2" Baum. T 30-3-05-FSA "RSV-2" Baum.
T 30-3-FSA "RSV-2" Baum. T 30-3-05-FSA "RSV-2" Baum.

Das oben genannte Zulassungsgesamtheit sind generell allgemein bauteiltechnisch zugelassen.
Diese allgemeine bauteiltechnische Zulassung umfasst auch Seiten und sechs Anlagen.

Bundesinstitut für Bautechnik (DIBt) - ein Institut und ein Unternehmen gemeinsamer Einrichtung
DIBt | Kiefelhaus 301 | D-56223 Ruffelen | Tel.: +49 30 18733-0 | Fax: +49 30 18733-206 | E-Mail: DIBt@DIBt.de | www.dibt.de

T30 Automatic Sliding Doors ASW / ASV

Single and double-leaf doors

Main functions

T30

Fire-retarding

RS

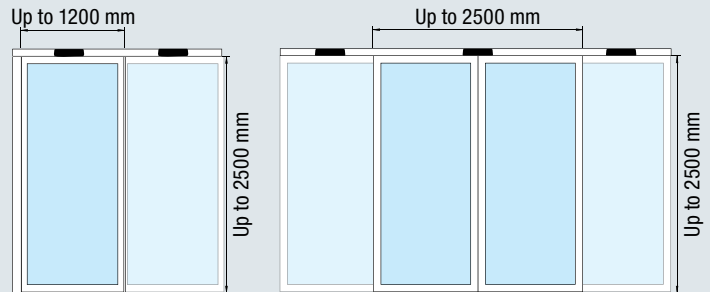
Smoke-tight



Recommended for barrier-free construction



Personal safety



ASW-1 / ASV-1

ASW-2 / ASV-2

| Version | ASW-1 / ASV-1 | ASW-2 / ASV-2 |
|------------------------------|---|---|
| Version | Single-leaf door | Double-leaf door |
| Profile system | Aluminium | Aluminium |
| Viewed width | 70 | 70 |
| Depth | 80 | 80 |
| Bottom section view | 150 / 82 | 150 / 82 |
| Profile height of operator | 70 | 70 |
| Opening speed (adjustable) | 20 – 70 cm/s | 20 – 70 cm/s |
| Closing speed (adjustable) | 20 – 50 cm/s (10 cm/s in case of a fire) | 20 – 50 cm/s (10 cm/s in case of a fire) |
| Hold-open phase (adjustable) | 0 – 60 s | 0 – 60 s |

Fitting in

| | | |
|----------------|-------|-------|
| Brickwork | ≥ 115 | ≥ 115 |
| Concrete | ≥ 100 | ≥ 100 |
| Gas concrete | ≥ 150 | ≥ 150 |
| Partition wall | ≥ 100 | ≥ 100 |

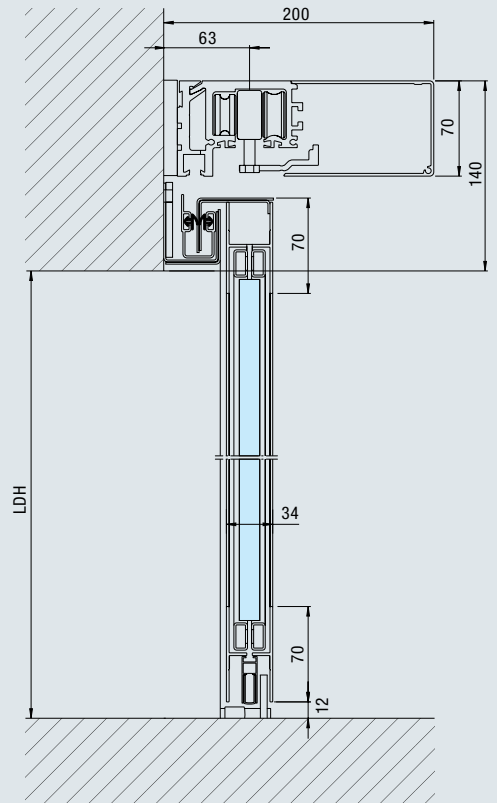
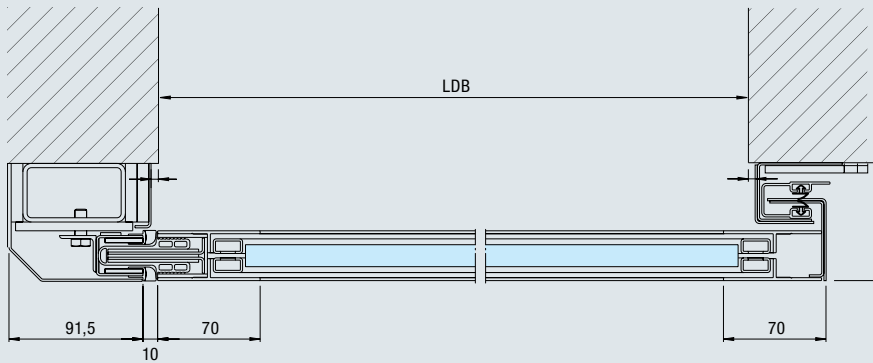
Wall requirements based on size can be found in the fitting instructions at www.hoermann.com

| Clear passage dimension | ASW-1 / ASV-1 | | ASW-2 / ASV-2 | |
|-----------------------------------|---------------|--------------|---------------|--------------|
| | Width (LDB) | Height (LDH) | Width (LDB) | Height (LDH) |
| Bottom section height 82 / 150 mm | 900 – 1200 | 1950 – 2500 | 1300 – 2500 | 1950 – 2500 |

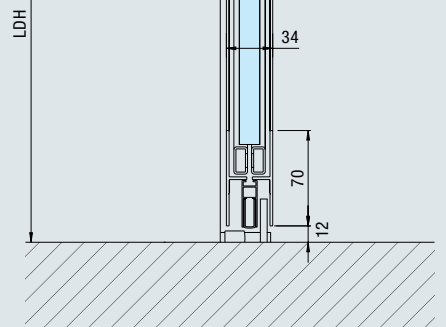
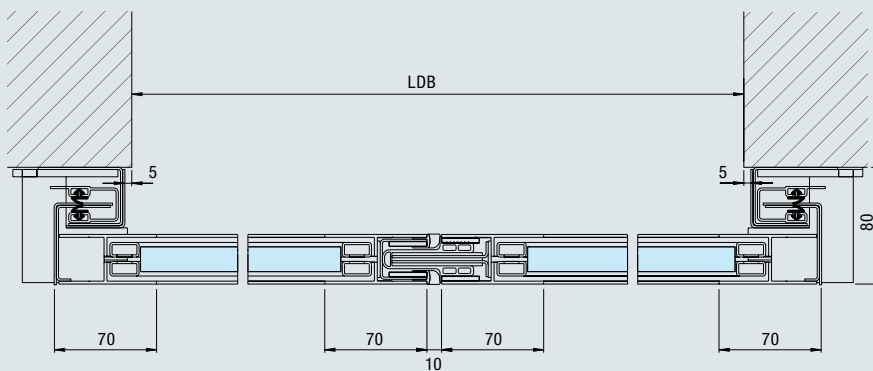
Systems dimensions

| Fitting in front of the wall | ASW-1 | ASW-2 |
|------------------------------|---------------|---------------|
| | 2 × LDB + 225 | 2 × LDB + 200 |
| Fitting in the opening | ASV-1 | ASV-2 |
| | 2 × LDB + 225 | 2 × LDB + 200 |

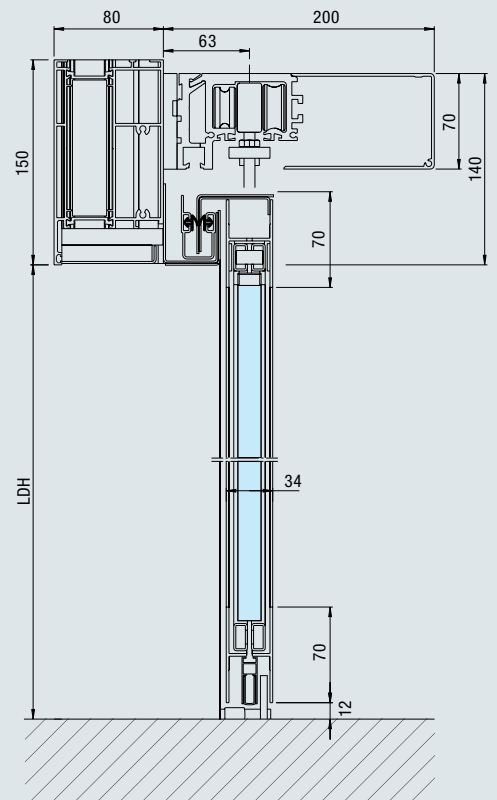
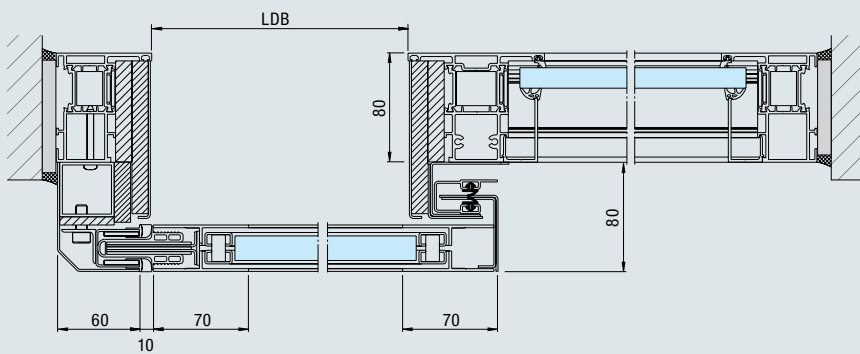
Fitting in front of the wall
Single-leaf (ASW-1)



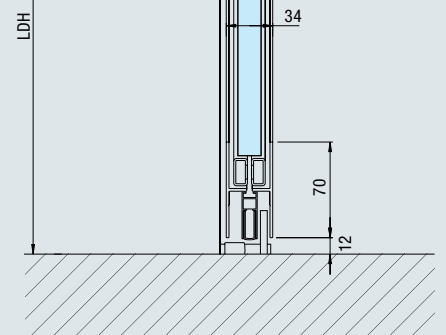
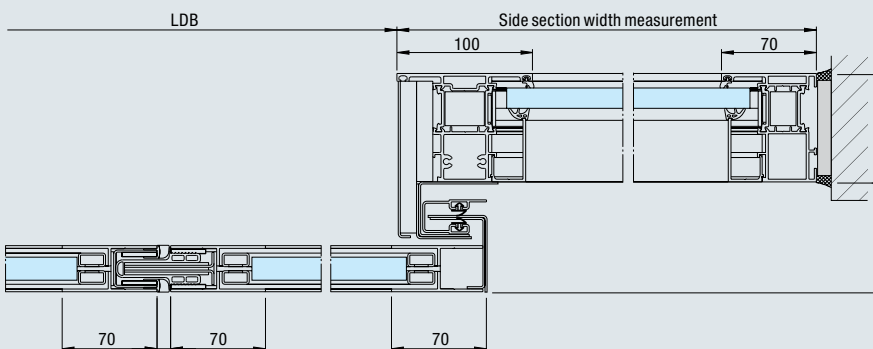
Double-leaf (ASW-2)



Fitting in the opening
Single-leaf (ASV-1)



Double-leaf (ASV-2)



Escape Route Sliding Door System Combination with Aluminium Tubular Frame Parts AS 30 / FR

The transparent solution for passages with fire protection requirements





Approved
as a system solution

- T30** **Fire-retarding**
DIN 4102
- T90** **Fire-proof**
On request
- RS** **Smoke-tight**
DIN 18095
- dB** **Acoustic-rated***
DIN EN ISO 717-7
- RC 2** **Break-in-resistant**
DIN EN 1627
-  **Escape route door**
-  **Recommended
for barrier-free construction**
-  **Personal safety
according to EN 16005**

At a glance:

Automatic sliding door

- Delicate look with a narrow aluminium prolife frame
- Low operator height of only 100 mm
- Safe, monitored handling with sensor monitoring
- High-performance for high opening frequencies
- Insulated glazing with safety glass

Fire-rated and smoke-tight door assembly

- Aluminium profile system
- 3-way adjustable hinges with up to 180° opening angle
- Slide rail overhead door closer for secure closing in case of fire
- Electromagnetic magnet for continuous opening during daytime operation
- Optionally available in an RC 2 version
- Versions with transom light and multiple side elements are also possible



Normal operation / daily operation (view fire-rated and smoke-tight door assembly)

In normal operation or daily operation, electromagnetic hold-open devices hold the door leaves of the fire-rated door open up to 180°. In this position, the frame profiles of this door are secured in the same alignment as the frame profiles of the side elements, resulting in a harmonious virtually parallel profile view. The AS 30 / FR automatic sliding door is the perfect solution for barrier-free passages with fire protection and escape route requirements.



In case of danger / night operation (view of automatic sliding door)

In case of fire, the door leaves of the sliding door are automatically held open and the door leaves of the fire-rated door are closed, while ensuring escape route security and anti-panic function. With safety equipment, this system can also be used as a secure night door.

* Acoustic insulation and break-in resistance only possible for closed fire-rated and smoke-tight door assembly, e. g. during the night.

Escape Route Sliding Door System Combination with Aluminium Tubular Frame Parts AS 30 / FR

Single and double-leaf door combination

Main functions

T30

Fire-retarding

T90

Fire-proof
On request

RS

Smoke-tight

dB

Acoustic-rated*
Up to 42 dB

RC 2

Break-in-resistant*



**Recommended
for barrier-free
construction**

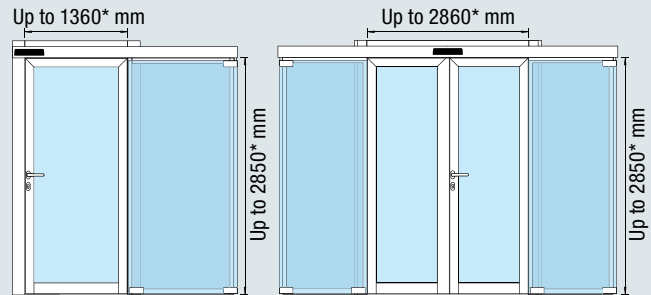


Personal safety



**Certified as an
escape route door**

* Acoustic insulation and break-in resistance only possible for closed fire-rated and smoke-tight door assembly, e. g. during the night.



* Dimensions for version with 70 mm frame; refer to the table for additional dimensions.

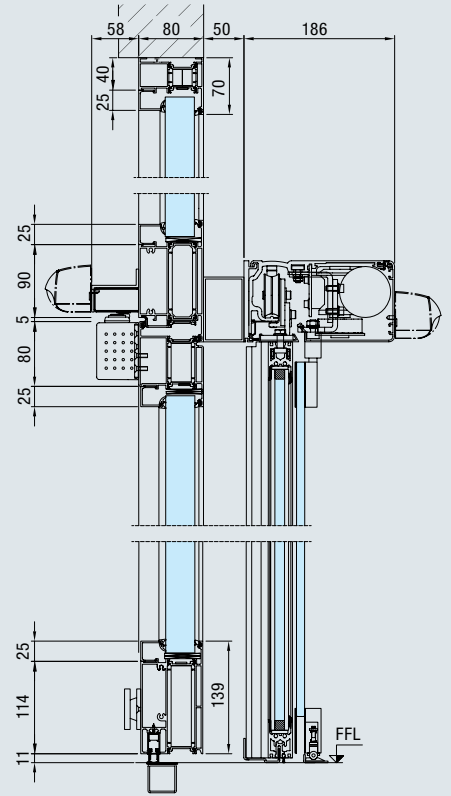
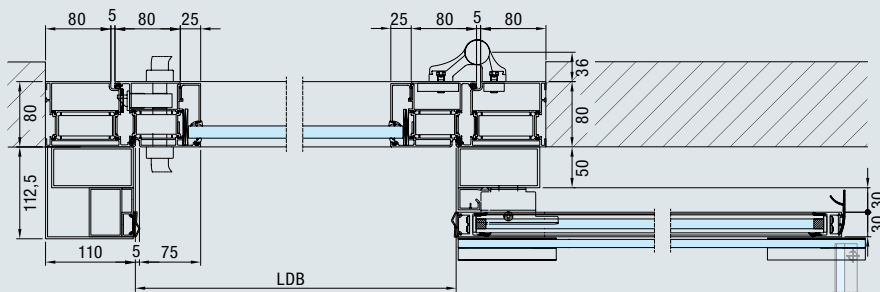
| | AS 30-1 / FR | AS 30-2 / FR |
|--|---------------------|---------------------|
| Version | Single-leaf door | Double-leaf door |
| Profile system | Aluminium | Aluminium |
| Automatic sliding door | | |
| Viewed width | 35 | 35 |
| Depth | 30 | 30 |
| Bottom section view | 47 | 47 |
| Profile height of operator | 100 | 100 |
| Opening speed (adjustable) | 55 – 75 cm/s | 55 – 75 cm/s |
| Closing speed (adjustable) | 10 – 50 cm/s | 10 – 50 cm/s |
| Hold-open phase (adjustable) | 0 – 180 s | 0 – 180 s |
| Fire-rated and smoke-tight door | | |
| Viewed width | 70 / 110 | 70 / 110 |
| Depth | 80 | 80 |
| Bottom section view | 105 / 150 | 105 / 150 |
| Fitting in | | |
| Brickwork | ≥ 115 | ≥ 115 |
| Concrete | ≥ 100 | ≥ 100 |
| Gas concrete | ≥ 150 | ≥ 150 |
| Partition wall | ≥ 100 | ≥ 100 |

Wall requirements based on size can be found in the fitting instructions at www.hoermann.com

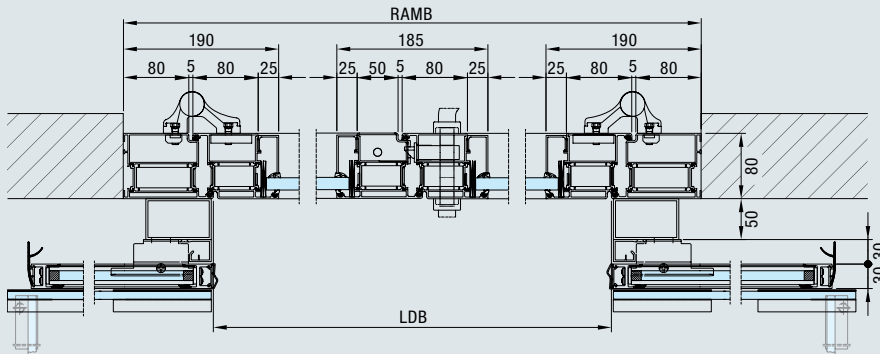
| | AS 30-1 / FR | | AS 30-2 / FR | |
|------------------------------------|--|---------------------------|--|---------------------------|
| | Width (LDB) | Height (LDH) | Width (LDB) | Height (LDH) |
| Clear passage dimension | | | | |
| 110 mm frame width | 900 – 1280 | 2000 – 2850 | 1360 – 2780 | 2000 – 2850 |
| 70 mm frame width | 900 – 1360 | 2000 – 2850 | 1360 – 2860 | 2000 – 2850 |
| System dimensions | | | | |
| Doors without side elements | System width | Space requirements | System width | Space requirements |
| With side edge safety device | $RAMB = 2 \times LDB + 50 + 60$ | System width | $RAMB = 2 \times LDB + 100$ | System width |
| Doors with side elements | System width / space requirement | | System width / space requirement | |
| Opening inwards | Side element = LDB + 32 mm RAMB = LDB + 192 mm (operator length) Safety leaf = LDB + 32 mm | | Side element = LDB / 2 + 20 mm RAMB = LDB × 2 + 140 mm (operator length) Safety leaf = LDB / 2 + 70 mm | |
| Opening outwards | Side element = LDB + 3 mm RAMB = LDB + 192 mm (operator length) Safety leaf = LDB + 32 mm | | Side element = LDB / 2 + 20 mm RAMB = LDB × 2 + 140 mm (operator length) Safety leaf = LDB / 2 + 67.5 mm | |

Fitting in the opening, version without side elements

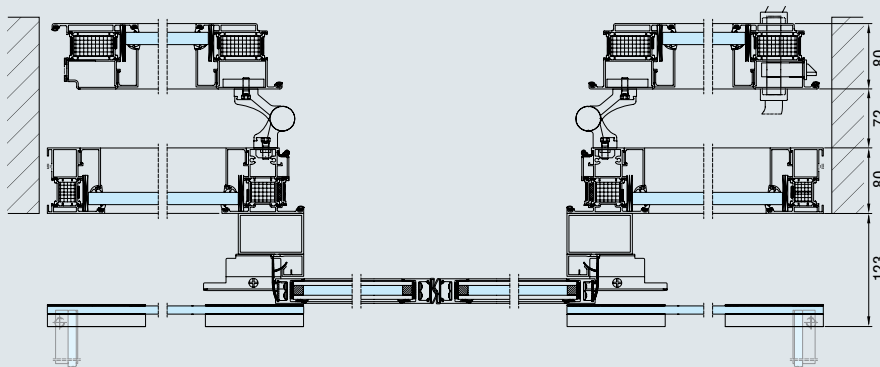
Single-leaf



Double-leaf



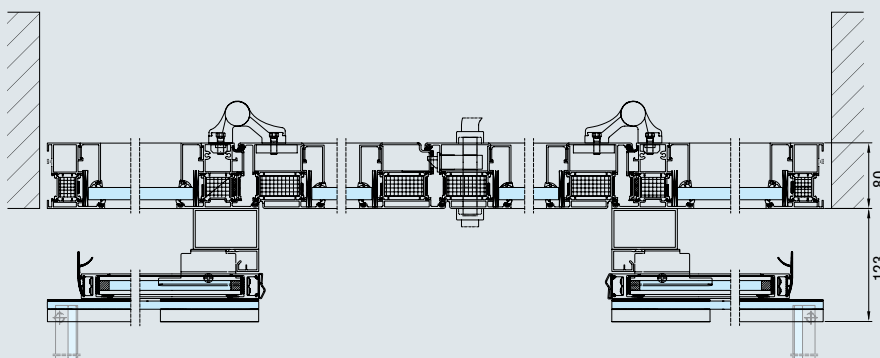
Normal operation / daily operation, version with side elements



Fully glazed fire-rated door with leaves open 180°

Automatic sliding door in automatic operation

In case of danger / night operation, version with side elements



Fully glazed fire-rated door with closed leaves

Automatic sliding door with open doors

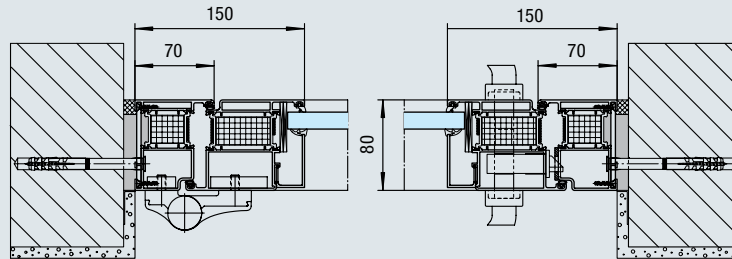
Aluminium Fire and Smoke Protection Elements

System overview



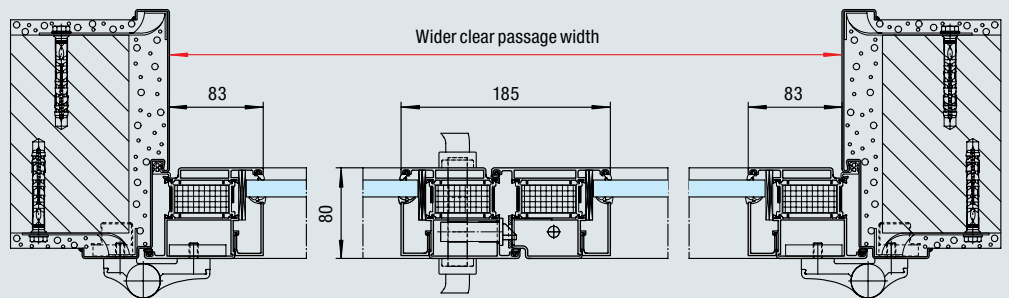
T30**Fire-retarding**
HE 311
HE 321**F30****Fire-retarding**
HE 331
HE 331 S**T60****High fire resistance**
HE 611
HE 621**F60****High fire resistance**
HE 631**T90****Fire-proof**
HE 911
HE 921**F90****Fire-proof**
HE 931**RS****Smoke-tight**
A / RS 100 / 150
A / RS 200 / 250
A / RS 300 / 350**dB****Acoustic-rated****RC 2****Break-in-resistant****RC 3****External door**
HE 312
HE 322**TRAV****Anti-fall safeguard glazing**
HE 331 S
HE 331
HE 631
HE 931
A / RS 350
A / RS 300

Single-leaf door with fascia frame



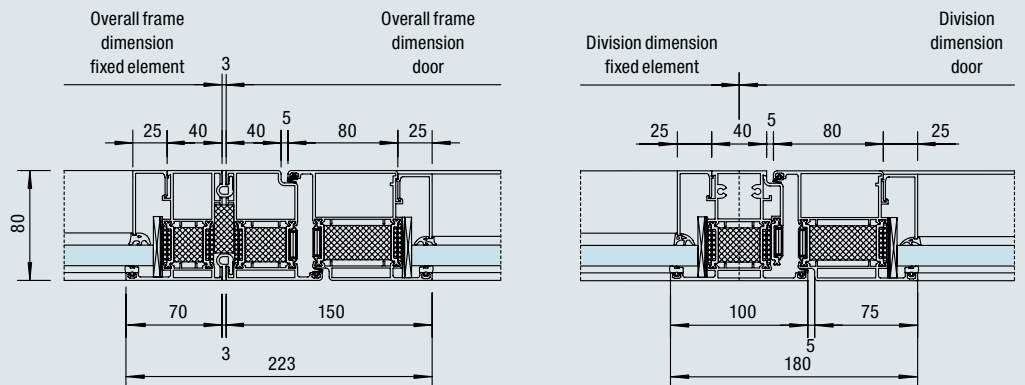
View T30 aluminium

Double-leaf door with steel frame



View T30 aluminium

Fixed glazing



Door / fixed element coupled

View T30 aluminium

Door / fixed element vertical profile construction

All dimensions in mm

Aluminium Fire and Smoke Protection Elements

Features

1 Uniform colour scheme

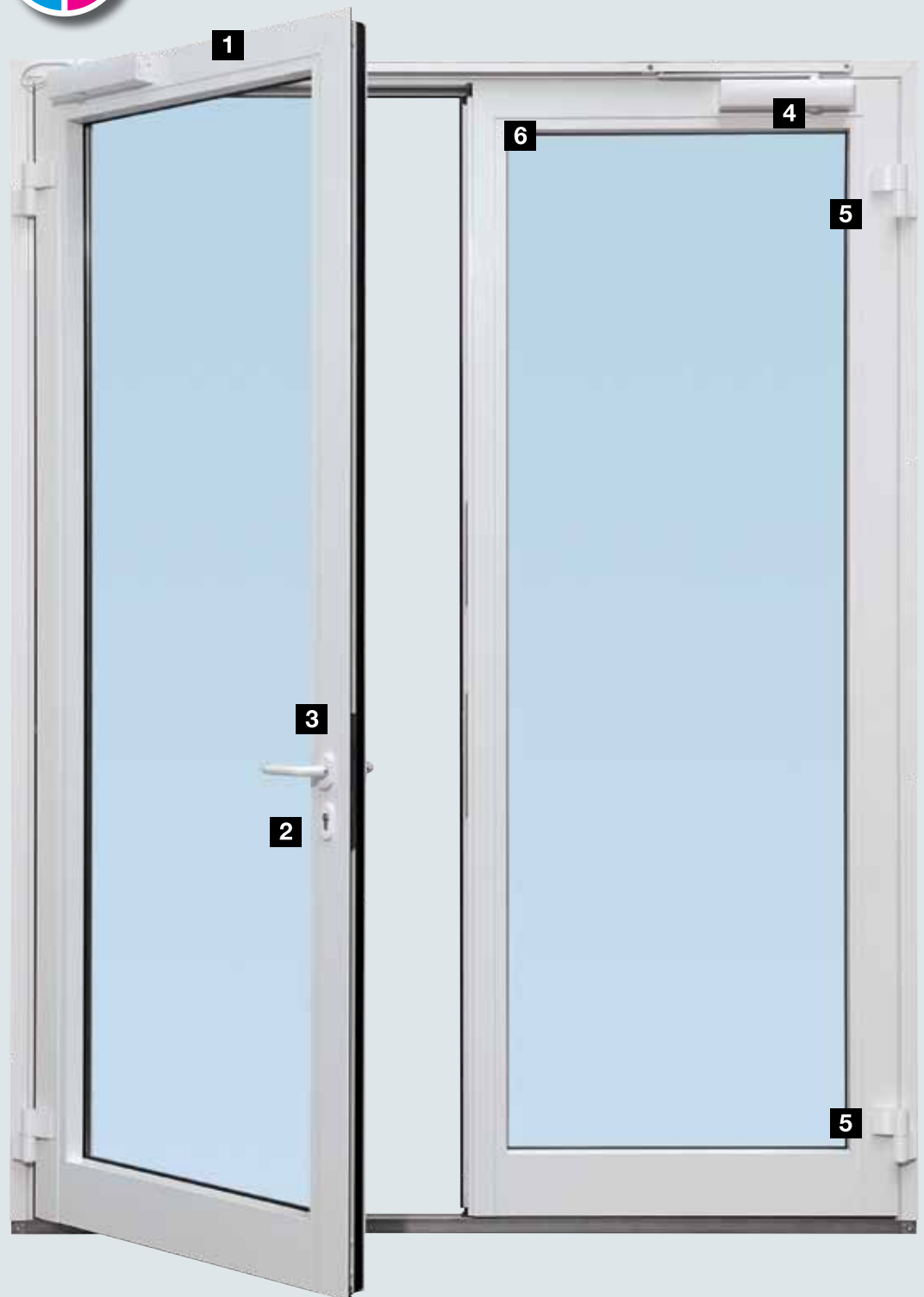
Hörmann offers you doors, frames, fittings, hinges and closing devices in a uniform colour scheme. This allows the door to fit harmoniously into the room concept. As standard, we offer the steel fire and smoke protection elements with a powder-coated primer in Traffic white (RAL 9016). Optionally, the elements are available in natural finish aluminium EV 1, bronze and all RAL colours.

2 Lock

As standard, all Hörmann fire-rated and smoke-tight doors are equipped with a latch catch lock. Optionally, we offer anti-panic locks, also self-locking.

3 Lever handle set

As standard, we offer all door sets with an offset aluminium lever/lever handle set with a steel core including a cylinder rose escutcheon. Break-in-resistant doors are additionally equipped with a protective fitting. Optionally, you can also choose lever handles and lever/knob handle sets as well as aluminium and stainless steel anti-panic bars.



4 Closing devices

As standard, all fire-rated and smoke-tight doors are equipped according to DIN EN 1154 with a slide rail overhead door closer on the hinge side, and with an integrated door leaf selector for double-leaf doors. Integrated overhead door closers are also available for a particularly harmonious door appearance.



Slide rail overhead door closer

5 Hinges

The standard 3-way hinge for fire-rated and smoke-tight doors is three-way adjustable, either with a pivot point of 20 or 36 mm. This aluminium hinge is available anodised, powder-coated in all colours or with a stainless steel finish.

The elegant and precisely adjustable guide roller (pivot point 16 mm) is available as an alternative to the 3-way adjustable hinge. It is available in painted steel matching the door surface finish or in polished stainless steel.

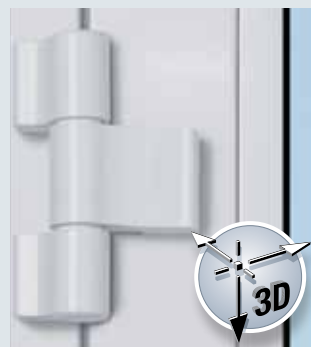
The 3-part 3-way adjustable hinges of T90 fire-rated doors (pivot point 20 or 36 mm) can be optimally aligned and are available in the door surface finish. For a matching look, we also offer you T30 and RS doors with these hinges.



2-part 3-way adjustable hinge as standard



Guide roller



3-way adjustable hinge, 3-part (T90)

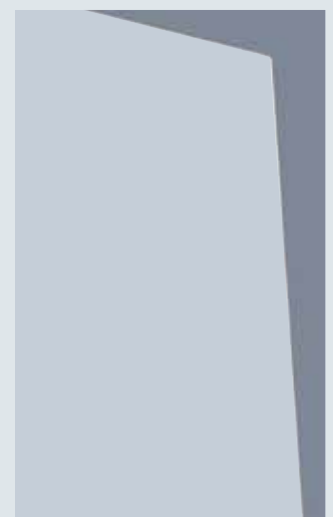
6 Glazing beads

Glazing beads are not only a functional element, but also a style element for the overall look of a door. As standard, we offer the doors with rectangular glazing beads.

If required, we offer the doors with rounded Softline glazing beads in which the precise mitre of frame and leaf is continued along a single line.



Rectangular glazing beads as standard



Softline glazing beads

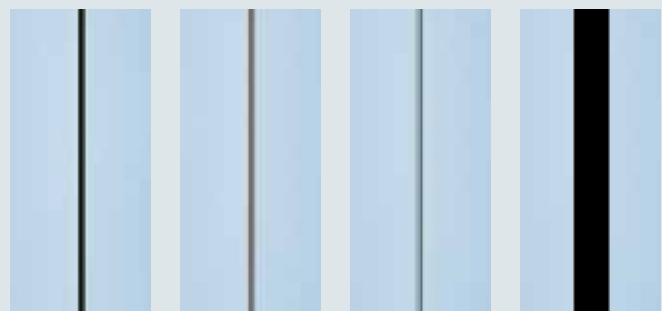
F30 / F90 Aluminium System Wall

Fire protection with maximal transparency for the highest demands



Discreet glazing joint

The individual glass panes are jointed by silicone (joint width 3 – 10 mm). The silicone joint is available in grey, black and transparent. An inexpensive alternative to the F30 system glazings is the version with F1-30 glass, for which the seal is concealed with a flat profile (40 × 2 mm).



Black silicone joint

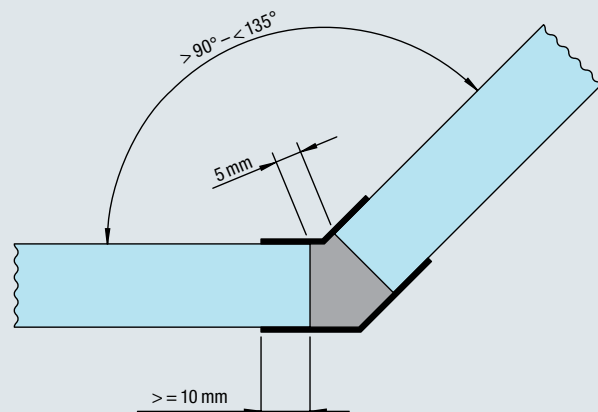
Grey silicone joint

Transparent silicone joint

Glazing with a 40 mm wide flat profile

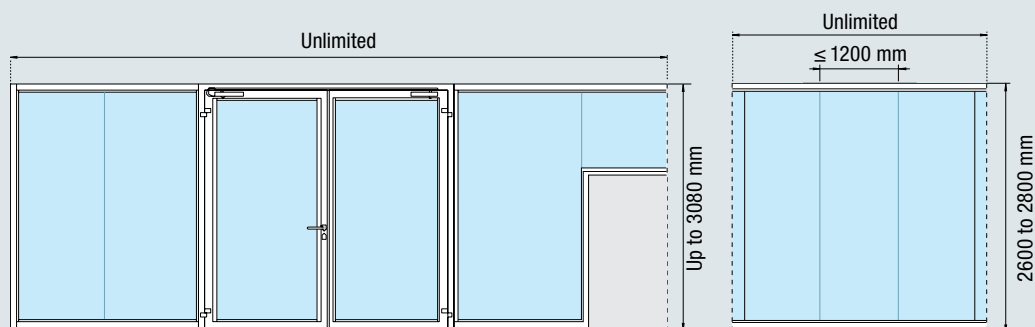
Corner connector

In corner areas with any type of angle, this system glazing does not require corner posts for aluminium F30. The joint with fire-rated silicone is elegantly concealed on the inside and outside by a glued-on slim metal angle profile. A technically and visually appealing solution.



HE 331 S

HE 931 S

**Main functions****T30****Fire-retarding**
HE 331 S**T90****Fire-proof**
HE 931 S**RS****Smoke-tight****TRAV****Anti-fall safeguard
glazing**
HE 331 S

| | HE 331 S | HE 931 S* |
|------------------------------|-----------------|------------------|
| Version | Fixed glazing | Fixed glazing |
| Profile system | Aluminium | Aluminium |
| Viewed width | 70 | 70 |
| Depth | 80 | 80 |
| Bottom section height | 70 / 150 | 70 / 150 |
| Fitting in | | |
| Brickwork | ≥ 115 | ≥ 240 |
| Concrete | ≥ 100 | ≥ 140 |
| Gas concrete | ≥ 175 | ≥ 240 |
| Partition wall | ≥ 100 | ≥ 100 |

Wall requirements based on size can be found in the fitting instructions at www.hoermann.com

* HE 931 S possible with case-by-case approval

The compliance proofs, e.g. for resistance to wind loads, water-tightness under heavy rain, air permeability, etc. are based on EN 14351-1.

| | HE 331 S | | HE 931 S | |
|--|-----------------|---------------|-----------------|---------------|
| | Width | Height | Width | Height |
| Size range | | | | |
| With fascia frame | | | | |
| Overall frame dimension (ordering size) | Unlimited | 3080 | Unlimited | 2600 – 2800 |
| Maximum door height | | 3000 | | Not available |

T30 / F30 Aluminium Fire and Smoke Protection Elements

HE 311, HE 321, HE 331

Single and double-leaf doors, fixed glazing

Main functions

T30

Fire-retarding
HE 311
HE 321

F30

Fire-retarding
HE 331

RS

Smoke-tight

dB

Acoustic-rated
Acoustic values up to 42 dB (HE 311, HE 321)
up to 44 dB (HE 331)

RC 2

Break-in-resistant
HE 311 up to 1500 × 3000 mm
HE 321 up to 3000 × 3000 mm

RC 3

Break-in-resistant
HE 311 up to 1500 × 2500 mm

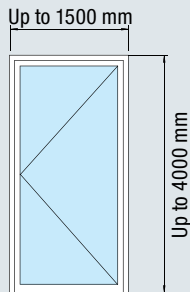


The RC 2 equipment is also available in combination with anti-panic locks as an escape route door

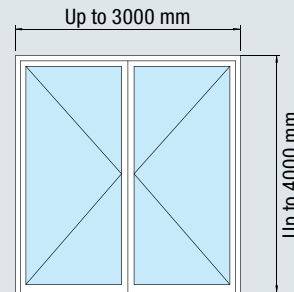
TRAV

Anti-fall safeguard glazing
HE 331

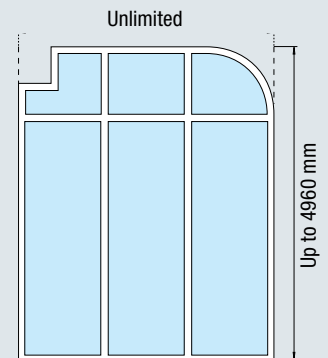
HE 311



HE 321



HE 331



| | HE 311 | HE 321 | HE 331 |
|------------------------------|------------------|------------------|---------------|
| Version | Single-leaf door | Double-leaf door | Fixed glazing |
| Profile system | Aluminium | Aluminium | Aluminium |
| Viewed frame width | 70 | 70 | 70 |
| Depth | 80 | 80 | 80 |
| Bottom section height | 105 / 150 | 105 / 150 | 105 / 150 |
| Fitting in | | | |
| Brickwork | ≥ 115 | ≥ 115 | ≥ 115 |
| Concrete | ≥ 100 | ≥ 100 | ≥ 100 |
| Gas concrete | ≥ 150 | ≥ 150 | ≥ 150 |
| Partition wall | ≥ 100 | ≥ 100 | ≥ 100 |

Wall requirements based on size can be found in the fitting instructions at www.hoermann.com

| Size range | HE 311 | | HE 321 | |
|--|------------|-------------|-------------|-------------|
| | Width | Height | Width | Height |
| With fascia frame | | | | |
| Overall frame dimension (ordering size) | 605 – 1500 | 1740 – 4000 | 1355 – 3000 | 1740 – 4000 |
| Clear passage | 465 – 1360 | 1670 – 3930 | 1215 – 2860 | 1670 – 3930 |
| With steel frame | | | | |
| Nominal size (ordering size) | 535 – 1430 | 1705 – 2965 | 1285 – 2930 | 1705 – 2965 |
| Clear passage | 414 – 1309 | 391 – 2933 | 1107 – 2752 | 1673 – 2933 |
| Traffic leaf division | | | 500 – 1500 | |
| Fixed leaf division | | | 500 – 1500 | |

| Size range | HE 331 | |
|--|-----------|--------------|
| | Width | Height |
| With fascia frame | | |
| Overall frame dimension (ordering size) | Unlimited | 4960 / 4500* |
| Maximum door height* | | 3000 |

* For combination of door (HE 311, HE 321) and fixed glazing (HE 331)

Clear passage Page 36

Fixed glazings Page 37

Design variations

T30 / F30 Aluminium Fire and Smoke Protection Elements HE 312, HE 322

Single and double-leaf doors, for use in exterior walls

T30

Main functions

Fire-retarding
HE 312
HE 322

RS

Smoke-tight

dB

Acoustic-rated
Acoustic values
up to 42 dB

U_D

Thermally insulated
U-value of up to
1.8 W/(m²·K)

RC 2

Break-in-resistant
HE 312
HE 322

RC 3

Break-in-resistant
HE 312



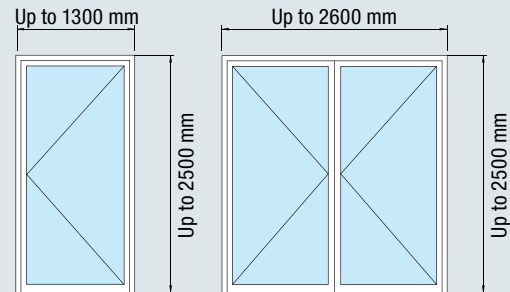
The RC 2 equipment is also available in combination with anti-panic locks as an escape route door



External door

HE 312

HE 322



HE 312

HE 322

| Version | HE 312 | HE 322 |
|-----------------------|-----------|-----------|
| Profile system | Aluminium | Aluminium |
| Viewed frame width | 70 | 70 |
| Depth | 80 | 80 |
| Bottom section height | 105 / 150 | 105 / 150 |
| Fitting in | | |
| Brickwork | ≥ 115 | ≥ 115 |
| Concrete | ≥ 100 | ≥ 100 |
| Gas concrete | ≥ 150 | ≥ 150 |
| Partition wall | ≥ 100 | ≥ 100 |

Additional functions / performance characteristics

| | | |
|---|--|---------------------------------|
| Thermal insulation U_D | Up to 1.8 W/(m ² ·K) | Up to 1.8 W/(m ² ·K) |
| Wind load | Class C2 / B2 | Class C3 / B3 |
| Water tightness under heavy rain | Class 1A (semicircular threshold with seal) Class 3A (entrance door threshold with seal) Limited (retractable bottom seal) | |
| Air permeability | Class 2 | Class 2 |
| Operating forces | Class 2 | Class 2 |
| Differential climate behaviour | Class 2(d) / 2(e) | Class 2(d) / 2(e) |

Wall requirements based on size can be found in the fitting instructions at www.hoermann.com

| Size range | HE 312 | | HE 322 | |
|--|------------|-------------|-------------|-------------|
| | Width | Height | Width | Height |
| With fascia frame | | | | |
| Overall frame dimension (ordering size) | 605 – 1300 | 1740 – 2500 | 1355 – 2600 | 1740 – 2500 |
| Clear passage | 465 – 1160 | 1670 – 2430 | 1215 – 2460 | 1670 – 2430 |
| Traffic leaf division | | | 605 – 1300 | |
| Fixed leaf division | | | 605 – 1300 | |

The doors are also available with side elements (max. width up to 1000 mm) and/or transom lights (max. height up to 1000 mm). Fixed glazings in defined size ranges are available on request (element size max. 4500 × 2500 mm, glazing size max. 1500 × 2500 mm).

Clear passage Page 36
Fixed glazings Page 37
Design variations

All dimensions in mm

Aluminium Frame Without Face

Exclusive door appearance without visible frame face on the hinge side and maximum clear passage width



T30 Aluminium Fire-Rated and Smoke-Tight Doors HE 311, HE 321

Single and double-leaf doors with frame without face

Main functions

T30

Fire-retarding
HE 311
HE 321

RS

Smoke-tight

RC 2

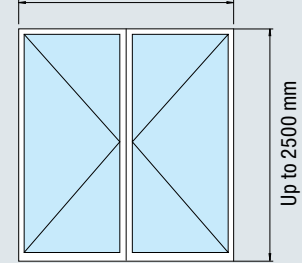
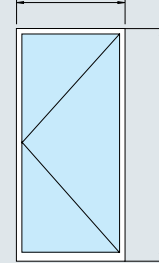
Break-in-resistant
HE 311
HE 321

HE 311

HE 321

Up to 1415 mm

Up to 2810 mm



HE 311

HE 321

Version

Single-leaf door,
optionally with
transom light

Double-leaf door,
optionally with
transom light

Profile system

Aluminium

Aluminium

Viewed width frame

Hinge side

4,5

4,5

Opposite hinge side

42

42

Wall width

100 – 200

100 – 200

Bottom section height

105 / 150

105 / 150

Fitting in

Brickwork

≥ 115

≥ 115

Concrete

≥ 100

≥ 100

Gas concrete

≥ 150

≥ 150

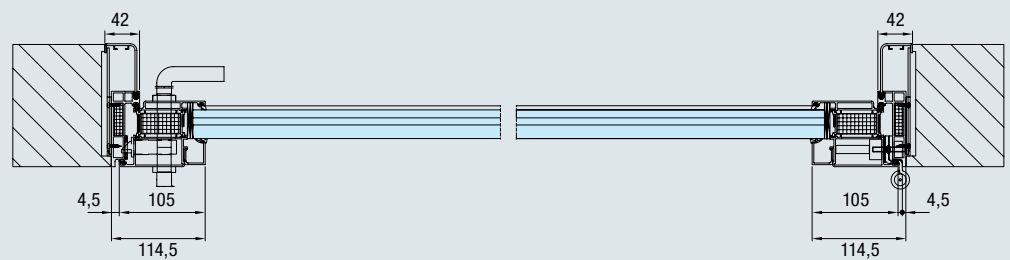
Partition wall

≥ 100

≥ 100

Wall requirements based on size can be found in the fitting instructions at www.hoermann.com

Single-leaf door with frame without face



The standard version includes an integrated overhead door closer and guide rollers. Surface-mounted overhead door closers and operators are possible for versions with transom light.

| Size range | HE 311 | | HE 321 | |
|--|------------|-------------|-------------|-------------|
| | Width | Height | Width | Height |
| With frame without face | | | | |
| Overall frame dimension (ordering size) | 550 – 1415 | 1710 – 2500 | 1300 – 2810 | 1710 – 2500 |
| Clear passage with 90° opening | 465 – 1330 | 1667 – 2457 | 1215 – 2725 | 1667 – 2457 |

Clear passage

Page 36

Fixed glazings
Design variations

Page 37

“Sign” Harbour Office, Düsseldorf
Architect: Murphy / Jahn, Chicago – Berlin



Hörmann products

- T30 aluminium fire-rated and smoke-tight doors HE 311 / 331
- T90 aluminium fire-rated and smoke-tight doors HE 921
- F90 fire-resistant glazing HE 931
- T30 steel fire-rated doors STS
- T30 steel fire-rated doors H3D
- T90 steel fire-rated doors H16
- Industrial rolling grille



T60 / F60 Aluminium Fire and Smoke Protection Elements HE 611, HE 621, HE 631

Single and double-leaf doors, fixed glazing

T60

Main functions

High fire resistance
HE 611
HE 621

F60

High fire resistance
HE 631

RS

Smoke-tight

dB

Acoustic-rated
Acoustic values up to
42 dB (HE 611, HE 621)
up to 44 dB (HE 631)

RC 2

Break-in-resistant
HE 611 up to
1500 × 2800 mm
HE 621 up to
2850 × 2800 mm

RC 3

Break-in-resistant
HE 611 up to
1500 × 2500 mm



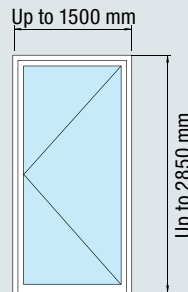
The RC 2 equipment
is also available in
combination with
anti-panic locks as an
escape route door

TRAV

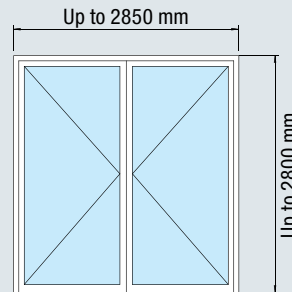
**Anti-fall safeguard
glazing**
HE 631

Clear passage Page 36
Fixed glazings Page 37
Design variations

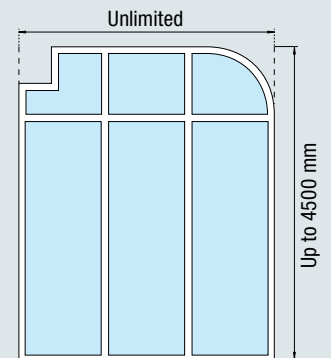
HE 611



HE 621



HE 631



| | HE 611 | HE 621 | HE 631 |
|------------------------------|------------------|------------------|---------------|
| Version | Single-leaf door | Double-leaf door | Fixed glazing |
| Profile system | Aluminium | Aluminium | Aluminium |
| Viewed width | 70 | 70 | 70 |
| Depth | 80 | 80 | 80 |
| Bottom section height | 150 | 150 | 150 |
| Fitting in | | | |
| Brickwork | ≥ 175 | ≥ 175 | ≥ 175 |
| Concrete | ≥ 140 | ≥ 140 | ≥ 140 |
| Gas concrete | ≥ 200 | ≥ 200 | ≥ 200 |
| Partition wall | ≥ 100 | ≥ 100 | ≥ 100 |

Wall requirements based on size can be found in the fitting instructions at www.hoermann.com

| Size range | HE 611 | | HE 621 | |
|--|------------|-------------|-------------|-------------|
| | Width | Height | Width | Height |
| With fascia frame | | | | |
| Overall frame dimension (ordering size) | 605 – 1500 | 1740 – 2800 | 1355 – 2850 | 1740 – 2800 |
| Clear passage | 465 – 1360 | 1670 – 2730 | 1215 – 2780 | 1670 – 2730 |
| Traffic leaf division | | | 500 – 1425 | |
| Fixed leaf division | | | 500 – 1425 | |

| Size range | HE 631 | |
|--|-----------|--------------|
| | Width | Height |
| Overall frame dimension (ordering size) | Unlimited | 4500 / 4000* |
| Maximum door height* | | 2800 |

* For combination of door (HE 611, HE 621) and fixed glazing (HE 631)

All dimensions in mm

Aufbau Haus, Berlin

Architects: Clarke und Kuhn, freie Architekten BDA, Berlin

Thinkbuild architecture, Jason Danzinger, Berlin



Hörmann products

- T30 aluminium fire-rated doors HE 311 and HE 321
- T30 steel fire-rated doors H3
- Industrial rolling grille Classic HG-A

T90 / F90 Aluminium Fire and Smoke Protection Elements HE 911, HE 921, HE 931

Single and double-leaf doors, fixed glazing

Main functions

T90

Fire-proof
HE 911
HE 921

F90

Fire-proof
HE 931

RS

Smoke-tight

dB

Acoustic-rated
Acoustic values up to
42 dB (HE 911, HE 921)
up to 44 dB (HE 931)

RC 2

Break-in-resistant
HE 911 up to
1500 × 2800 mm
HE 921 up to
2850 × 2800 mm

RC 3

Break-in-resistant
HE 911 up to
1500 × 2500 mm



The RC 2 equipment
is also available in
combination with
anti-panic locks as an
escape route door

TRAV

**Anti-fall safeguard
glazing**
HE 931

Clear passage

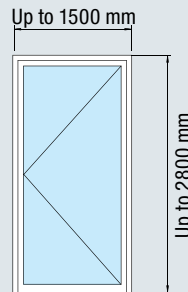
Page 36

Fixed glazings

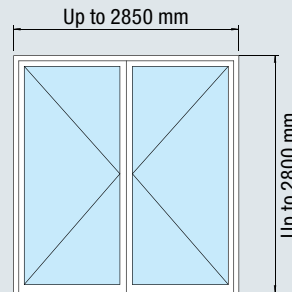
Page 37

Design variations

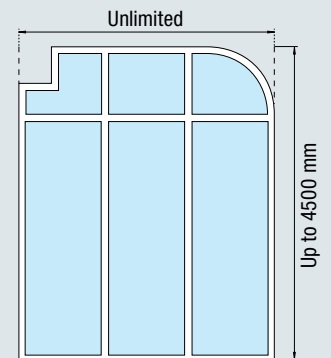
HE 911



HE 921



HE 931



| | HE 911 | HE 921 | HE 931 |
|------------------------------|------------------|------------------|---------------|
| Version | Single-leaf door | Double-leaf door | Fixed glazing |
| Profile system | Aluminium | Aluminium | Aluminium |
| Viewed frame width | 70 | 70 | 70 |
| Depth | 80 | 80 | 80 |
| Bottom section height | 150 | 150 | 70 / 150 |
| Fitting in | | | |
| Brickwork | ≥ 240 | ≥ 240 | ≥ 240 |
| Concrete | ≥ 140 | ≥ 140 | ≥ 140 |
| Gas concrete | ≥ 240 | ≥ 240 | ≥ 240 |
| Partition wall | ≥ 100 | ≥ 100 | ≥ 100 |

Wall requirements based on size can be found in the fitting instructions at www.hoermann.com

| Size range | HE 911 | | HE 921 | |
|--|------------|-------------|-------------|-------------|
| | Width | Height | Width | Height |
| With fascia frame | | | | |
| Overall frame dimension (ordering size) | 605 – 1500 | 1740 – 2800 | 1355 – 2850 | 1740 – 2800 |
| Clear passage | 465 – 1360 | 1670 – 2730 | 1215 – 2710 | 1670 – 2730 |

| Size range | HE 931 | |
|--|-----------|--------------|
| | Width | Height |
| Overall frame dimension (ordering size) | Unlimited | 4500 / 4000* |
| Maximum door height* | | 2800 |

* For combination of door (HE 911, HE 921) and fixed glazing (HE 931)

All dimensions in mm

Aluminium Smoke Protection Elements

A / RS 150, A / RS 250, A / RS 350

Single and double-leaf doors, fixed glazing

Main functions

RS

Smoke-tight

dB

Acoustic-rated

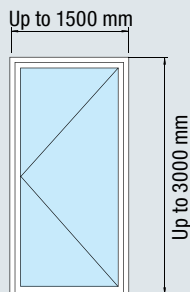
Acoustic values
up to 38 dB

TRAV

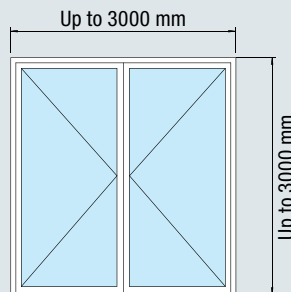
Anti-fall safeguard
glazing

A / RS 350

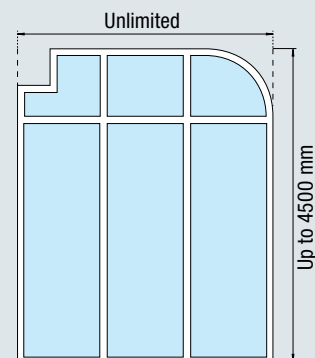
A / RS 150



A / RS 250



A / RS 350



| | A / RS 150 | A / RS 250 | A / RS 350 |
|------------------------------|------------------|------------------|---------------|
| Version | Single-leaf door | Double-leaf door | Fixed glazing |
| Profile system | Aluminium | Aluminium | Aluminium |
| Viewed frame width | 70 | 70 | 70 |
| Depth | 50 | 50 | 50 |
| Bottom section height | 105 / 150 | 105 / 150 | 105 / 150 |

Fitting in

| | | | |
|----------------|-------|-------|-------|
| Brickwork | ≥ 115 | ≥ 115 | ≥ 115 |
| Concrete | ≥ 100 | ≥ 100 | ≥ 100 |
| Gas concrete | ≥ 150 | ≥ 150 | ≥ 150 |
| Partition wall | ≥ 100 | ≥ 100 | ≥ 100 |

Wall requirements based on size can be found in the fitting instructions at www.hoermann.com

| Size range | A / RS 150 | | A / RS 250 | |
|--|------------|-------------|-------------|-------------|
| | Width | Height | Width | Height |
| With fascia frame | | | | |
| Overall frame dimension (ordering size) | 605 – 1500 | 1740 – 3000 | 1355 – 3000 | 1740 – 3000 |
| Clear passage | 465 – 1360 | 1670 – 2730 | 1215 – 2860 | 1670 – 2730 |
| With steel frame | | | | |
| Nominal size (ordering size) | 535 – 1380 | 1705 – 2965 | 1285 – 2930 | 1705 – 2965 |
| Clear passage | 471 – 1316 | 1673 – 2933 | 1221 – 2866 | 1673 – 2933 |
| Traffic leaf division | | | 548 – 1500 | |
| Fixed leaf division | | | 548 – 1500 | |

| Size range | A / RS 350 | |
|--|---|-----------|
| | Width | Height |
| Overall frame dimension (ordering size) | Unlimited | Unlimited |
| Maximum door height* | | 3000 |
| TRAV | | |
| Max. element size | Unlimited | 4500 |
| Min. pane size | 800 | 1000 |
| Max. pane size | Depending on glass type according to table 2 TRAV | |

* For combination of door (A / RS 150, A / RS 250) and fixed glazing (A / RS 350)

Clear passage

Page 36

Fixed glazings

Page 37

Design variations

Aluminium Smoke Protection Elements, Insulated

A / RS 100, A / RS 200, A / RS 300

Single and double-leaf doors, fixed glazing

RS

Main functions

Smoke-tight

dB

Acoustic-rated

Acoustic values up to 38 dB

RC 2

Break-in-resistant

A / RS 100 up to 1500 × 3000 mm
A / RS 200 up to 3000 × 3000 mm

RC 3

Break-in-resistant

A / RS 100 up to 1500 × 2500 mm



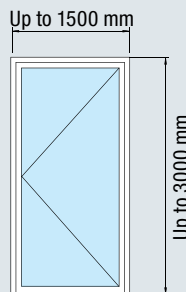
The RC 2 equipment is also available in combination with anti-panic locks as an escape route door

TRAV

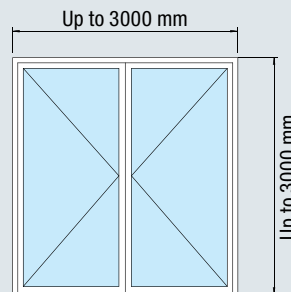
Anti-fall safeguard glazing

A / RS 300

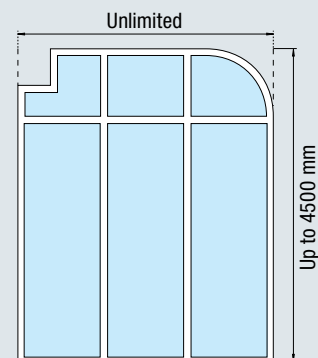
A / RS 100



A / RS 200



A / RS 300



| | A / RS 100 | A / RS 200 | A / RS 300 |
|------------------------------|------------------|------------------|---------------|
| Version | Single-leaf door | Double-leaf door | Fixed glazing |
| Profile system | Aluminium | Aluminium | Aluminium |
| Viewed width | 70 | 70 | 70 |
| Depth | 80 | 80 | 80 |
| Bottom section height | 105 / 150 | 105 / 150 | 105 / 150 |

Fitting in

| | | | |
|----------------|-------|-------|-------|
| Brickwork | ≥ 115 | ≥ 115 | ≥ 115 |
| Concrete | ≥ 100 | ≥ 100 | ≥ 100 |
| Gas concrete | ≥ 150 | ≥ 150 | ≥ 150 |
| Partition wall | ≥ 100 | ≥ 100 | ≥ 100 |

Wall requirements based on size can be found in the fitting instructions at www.hoermann.com

| Size range | A / RS 100 | | A / RS 200 | |
|--|------------|--------------|-------------|--------------|
| | Width | Height | Width | Height |
| With fascia frame | | | | |
| Overall frame dimension (ordering size) | 605 – 1500 | 1740 – 3000 | 1355 – 3000 | 1740 – 3000 |
| Clear passage | 465 – 1360 | 1670 – 2930 | 1215 – 2860 | 1670 – 2930 |
| With steel frame | | | | |
| Nominal size (ordering size) | 535 – 1430 | 1705 – 2965* | 1285 – 2930 | 1750 – 2965* |
| Clear passage | 471 – 1366 | 1673 – 2933 | 1221 – 2866 | 1673 – 2933 |
| Traffic leaf division | | | 500 – 1500 | |
| Fixed leaf division | | | 500 – 1500 | |

* With transom light 3500

| Size range | A / RS 300 | |
|--|---|-----------|
| | Width | Height |
| Overall frame dimension (ordering size) | Unlimited | Unlimited |
| Maximum door height** | | 3000 |
| TRAV | | |
| Max. element size | Unlimited | 4500 |
| Min. pane size | 800 | 1000 |
| Max. pane size | Depending on glass type according to table 2 TRAV | |

** For combination of door (A / RS 100, A / RS 200) and fixed glazing (A / RS 300)

Clear passage Page 36

Fixed glazings Page 37

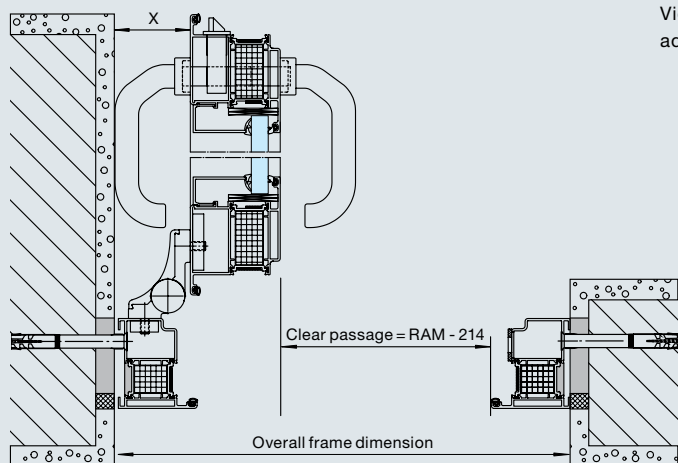
Design variations

All dimensions in mm

Clear passage

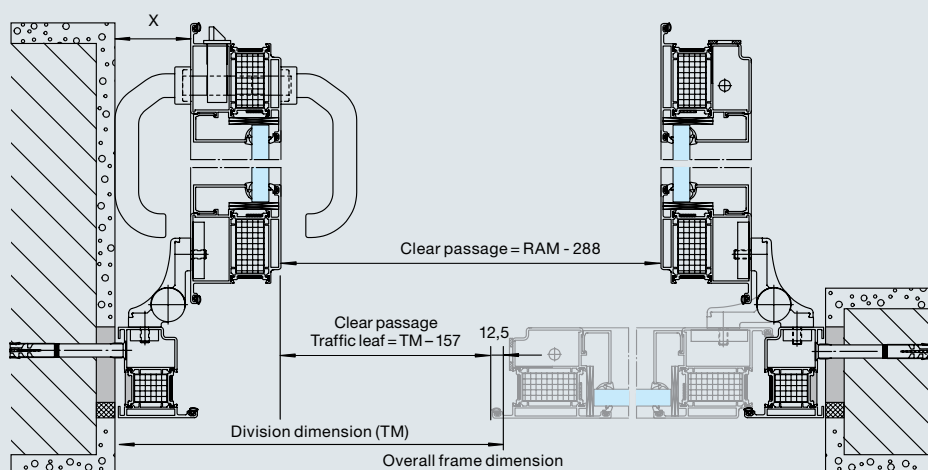
With door leaf opened by 90° and without fittings

Single-leaf door



View of T30 aluminium fire-rated door, single-leaf with 3-way adjustable hinge with 20 mm pivot point

Double-leaf door



View of T30 aluminium fire-rated door, double-leaf with 3-way adjustable hinge with 20 mm pivot point

| Hinge system | Single-leaf door | | Double-leaf door, overall | | Double-leaf door, traffic leaf | | Distance leaf / wall (x) |
|---|------------------|--|---------------------------|--|--------------------------------|--|--------------------------|
| Door type | A / RS 150 | HE 311 HE 611 HE 911 A / RS 100 | A / RS 250 | HE 321 HE 621 HE 921 A / RS 200 | A / RS 250 | HE 321 HE 621 HE 921 A / RS 200 | |
| Depth | 50 | 80 | 50 | 80 | 50 | 80 | |
| 3-way adjustable hinge, pivot point 20 mm | RAM - 184 | RAM - 214 | RAM - 228 | RAM - 288 | Division dimension - 127 | Division dimension - 157 | 64 |
| 3-way adjustable hinge, pivot point 36 mm | RAM - 200 | RAM - 230 | RAM - 260 | RAM - 320 | Division dimension - 143 | Division dimension - 173 | 80 |
| Guide roller*, pivot point 16 mm | RAM - 179 | RAM - 209 | RAM - 218 | RAM - 278 | Division dimension - 117 | Division dimension - 152 | 52 |

All dimensions refer to element assemblies

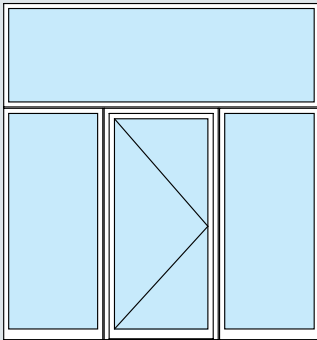
*not for HE 611, HE 621, HE 911, HE 921

Fixed Glazings

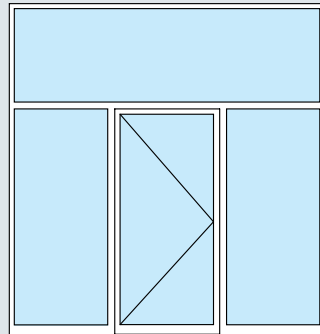
Design variations

Hörmann aluminium fire-rated doors are available either as a coupling construction for simple connection on location, or as complete elements with a vertical/horizontal profile construction. Thus they can be easily matched to the fitting situation at the construction site.

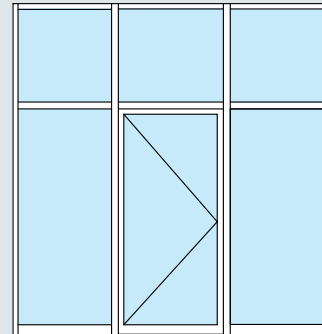
With the Hörmann plug-in system, the slim vertical / horizontal profile construction can also be assembled into walls of any size.



Coupling construction

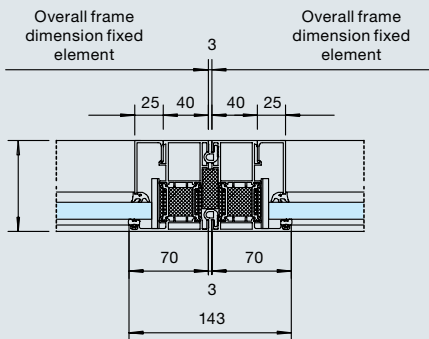


Vertical / horizontal profile construction as a complete element

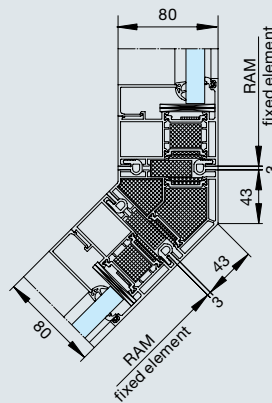


Vertical / horizontal profile construction as a plug-in system

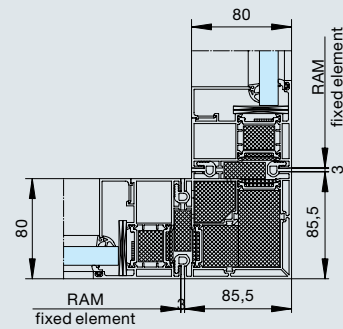
Coupling construction variants



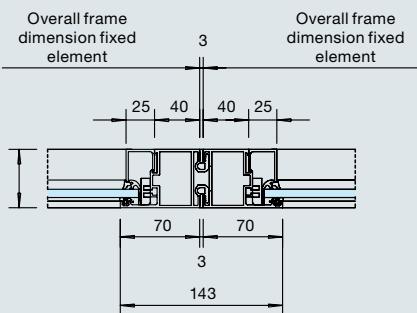
Aluminium F30 coupling 180°



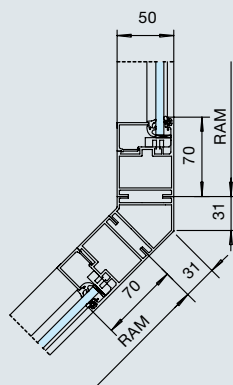
Aluminium F30 coupling 135°



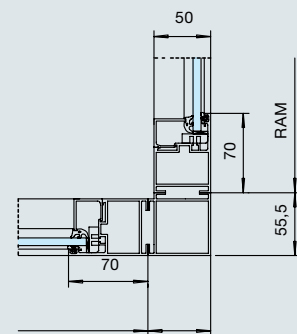
Aluminium F30 coupling 90°



Aluminium RS-3 coupling 180°



Aluminium RS-3 coupling 135°



Aluminium RS-3 coupling 90°

All dimensions in mm

Hafencity, Hamburg

Hörmann projects in one of Europe's largest urban development areas



Projects with Hörmann products

incl. Dalmann-Carrée, Kühne + Nagel, Coffee Plaza, Marco-Polo-Tower, 25h Hotel, Unilever building, Oval am Kaiserkai



Hörmann products

- T30 aluminium fire-rated doors HE 311
- T90 aluminium fire-rated doors HE 911
- Aluminium smoke-tight doors A / RS 150
- T30 steel fire-rated doors H3
- T90 steel fire-rated doors H16
- T30 steel fire-rated doors STS



Spiegel building

Architect: Henning Larsen Architects, Copenhagen, Denmark





CC01 Commercial Center
 Architect: Baumschlager Eberle Lustenau GmbH, Lochau, Austria



Hörmann products

- T30 aluminium fire protection elements HE 311, HE 321, HE 331
- Aluminium smoke-tight doors A / RS 150, A / RS 250
- T30 steel fire-rated doors HL 310 S, HL 320 S
- T90 aluminium fire-rated doors HE 911, HE 921
- F90 aluminium fire protection elements HE 931



Elbphilharmonie under construction
 Architect: © Herzog & de Meuron, Basel, Switzerland



Steel fire and smoke protection elements

System overview



Steel S-Line

T30 Fire-retarding
HL 310 S
HL 320 S

F30 Fire-retarding
HL 330 S
HL 330 S / SW

G30 Fire-retarding
G 300 S

RS Smoke-tight
S / RS 100 S
S / RS 200 S
S / RS 300 S

dB Acoustic-rated

RC 2 Break-in-resistant

Steel N-Line

T30 Fire-retarding
HL 310
HL 320

F30 Fire-retarding
HL 330
HL 330 SW

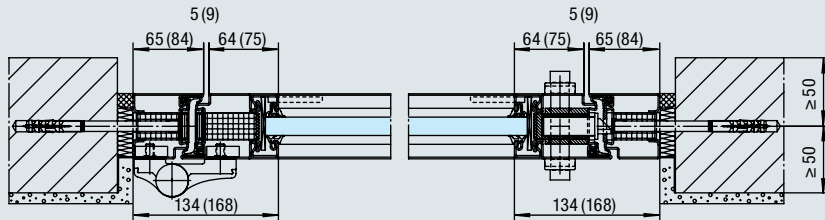
G30 Fire-retarding
G 300

RS Smoke-tight
S / RS 100
S / RS 200
S / RS 300

dB Acoustic-rated

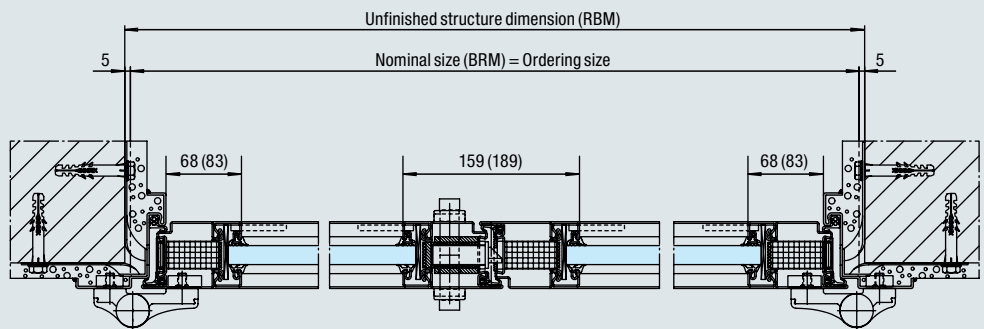
RC 2 Break-in-resistant

Single-leaf S-Line steel door with fascia frame



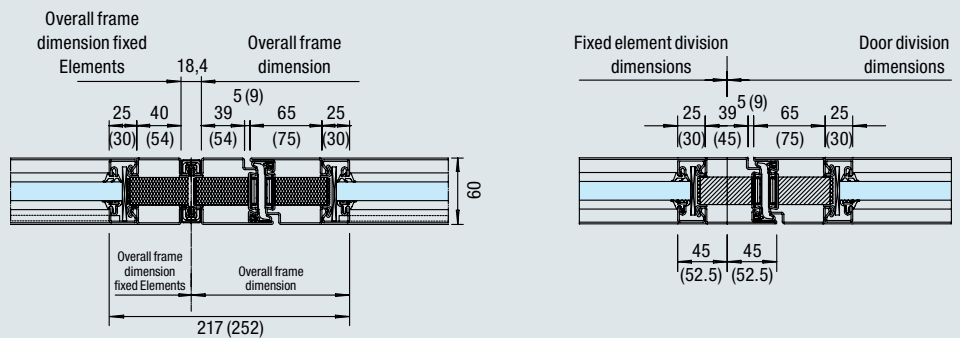
View T30 steel S-Line, in brackets N-Line dimensions

Double-leaf S-Line steel door with steel frame



View T30 steel S-Line, in brackets N-Line dimensions

Fixed glazing steel S-Line



Door / fixed element coupled

Door / fixed element vertical profile construction

View T30 steel S-Line, in brackets N-Line dimensions

Steel Fire and Smoke Protection Elements

Features

1 Uniform colour scheme

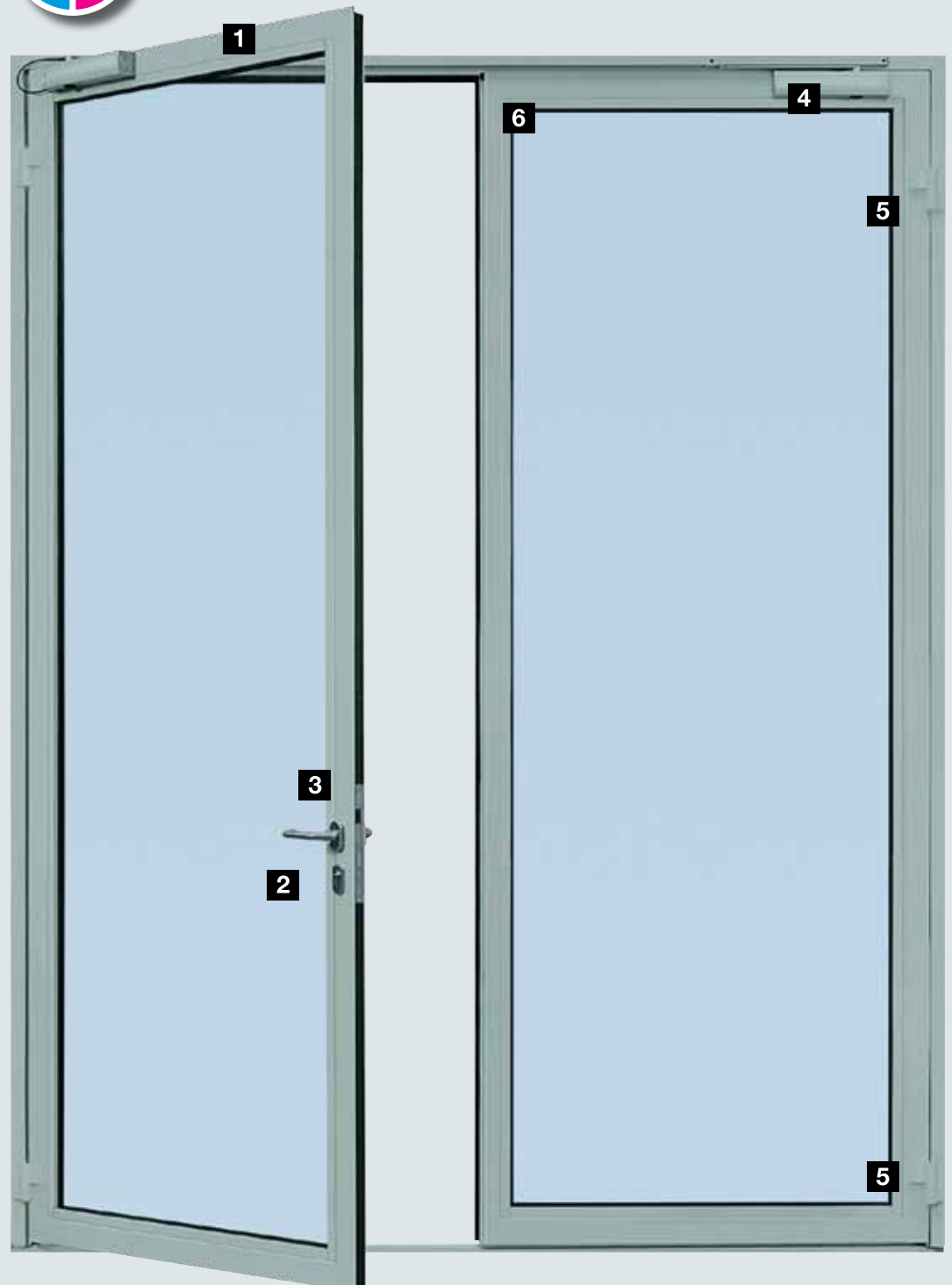
Hörmann offers you doors, frames, fittings, hinges and closing devices in a uniform colour scheme. This allows the door to fit harmoniously into the room concept. As standard, we offer the steel fire and smoke protection elements galvanized, with a powder-coated primer in Traffic white (similar to RAL 9016). Optionally, the elements are available galvanized primed, in bronze and all RAL colours.

2 Lock

As standard, all Hörmann fire-rated and smoke-tight doors are equipped with a latch catch lock. The fixed leaf is secured by a rebate espagnolette lock. Optionally, we offer anti-panic locks, also self-locking.

3 Lever handle set

As standard, we offer all door sets with an offset aluminium lever/lever handle set with a steel core including a cylinder rose escutcheon. Optionally, you can also choose lever handles and lever / knob handle sets as well as aluminium and stainless steel anti-panic bars.



4 Closing devices

As standard, all fire-rated and smoke-tight doors are equipped according to DIN EN 1154 with a slide rail overhead door closer on the hinge side, and with an integrated door leaf selector for double-leaf doors. Integrated overhead door closers are also available for a particularly harmonious door appearance.



Slide rail overhead door closer

5 Hinges



The standard 3-way hinge for T30 and RS doors is three-way adjustable, either with a pivot point of 20 or 36 mm. This aluminium hinge is available anodised, powder-coated in all colours or with a stainless steel finish.



Alternatively, for slim S-Line profiles the slim steel guide roller is also available as a version for welding or screwing on (pivot point 12 mm). It highlights the vertical line and is available with the same surface as the door or in stainless steel.



The concealed hinges are integrated in the fascia frame and door leaf. This is coupled with an integrated closing system and thus the all-round profile is not interrupted by a surface-mounted element.

6 Glazing beads



As standard, the doors are equipped all-round and on both sides of the door with rectangular steel glazing beads. This detail gives the door an elegant overall appearance.



For an exclusive industrial look you can also choose screwed angle glazing beads for both sides of the door.



We also offer a screwed angle glazing bead with edge recess, which is fitted on both sides of the door, giving the door a delicate filigree touch.

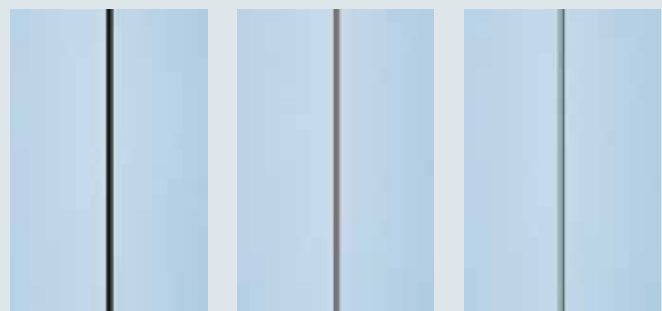
F30 Steel System Wall

Matching the S-Line and N-Line steel fire-rated and smoke-tight doors



Discreet glazing joint

The individual glass panes are jointed by silicone (joint width 5 mm). The silicone joint is available in black, grey and transparent.



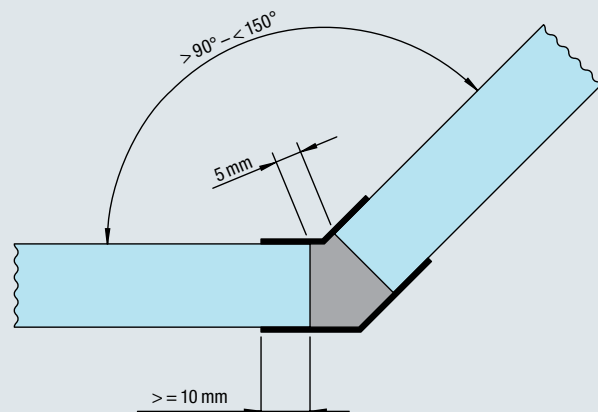
Black silicone joint

Grey silicone joint

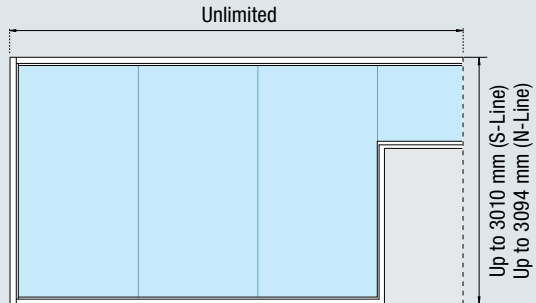
Transparent silicone joint

Corner connector

In corner areas with any angle, this system glazing does not require corner posts. The joint with fire-rated silicone is elegantly concealed on the inside and outside by a glued-on slim metal angle profile. A technically and visually appealing solution.



HL 330 S / SW, HL 330 SW



Main functions

F30

Fire-retarding

RS

Smoke-tight

| | HL 330 S / SW | HL 330 SW |
|------------------------------|----------------------|------------------|
| Version | Fixed glazing | Fixed glazing |
| Profile system | Steel S-Line | Steel N-Line |
| Viewed width | 134 | 168 |
| Depth | 60 | 60 |
| Bottom section height | 70 / 81 | 84 / 150 |
| Fitting in | | |
| Brickwork | ≥ 115 | ≥ 115 |
| Concrete | ≥ 100 | ≥ 100 |
| Gas concrete | ≥ 150 | ≥ 150 |
| Partition wall | ≥ 100 | ≥ 100 |

Wall requirements based on size can be found in the fitting instructions at www.hoermann.com

| | HL 330 S / SW S-Line | | HL 330 SW N-Line | |
|--|-----------------------------|---------------|-------------------------|---------------|
| | Width | Height | Width | Height |
| Size range | | | | |
| With fascia frame | | | | |
| Overall frame dimension (ordering size) | Unlimited | 3010 | Unlimited | 3094 |

T30 Steel Fire and Smoke Protection Elements S-Line

HL 310 S, HL 320 S

Single and double-leaf doors

Main functions

T30

Fire-retarding

RS

Smoke-tight

dB

Acoustic-rated

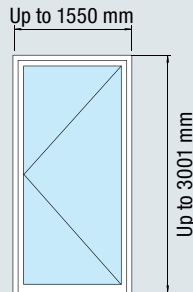
Acoustic values from 34 – 42 dB

RC 2

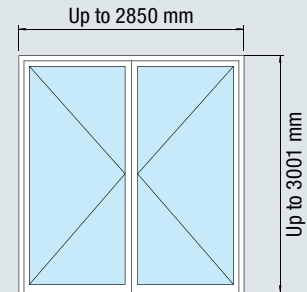
Break-in-resistant

HL 310 S up to 1500 × 2800 mm
HL 320 S up to 1500 × 2800 mm

HL 310 S



HL 320 S



HL 310 S

HL 320 S

| | | |
|------------------------------|------------------|------------------|
| Version | Single-leaf door | Double-leaf door |
| Profile system | Steel S-Line | Steel S-Line |
| Viewed width | 134 | 134 |
| Depth | 60 | 60 |
| Bottom section height | 76 | 76 |
| Fitting in | | |
| Brickwork | ≥ 115 | ≥ 115 |
| Concrete | ≥ 100 | ≥ 100 |
| Gas concrete | ≥ 150 | ≥ 150 |
| Partition wall | ≥ 100 | ≥ 100 |

Wall requirements based on size can be found in the fitting instructions at www.hoermann.com

| Size range | HL 310 S | | HL 320 S | |
|--|------------|-------------|-------------|-------------|
| | Width | Height | Width | Height |
| With fascia frame | | | | |
| Overall frame dimension (ordering size) | 567 – 1550 | 1721 – 3001 | 1317 – 2852 | 1721 – 3001 |
| Clear passage | 387 – 1370 | 1656 – 2936 | 1087 – 2622 | 1656 – 2936 |
| With steel frame | | | | |
| Nominal size (ordering size) | 499 – 1485 | 1687 – 2278 | 1244 – 2844 | 1687 – 2278 |
| Clear passage | 385 – 1371 | 1655 – 2246 | 1085 – 2680 | 1655 – 2246 |
| Traffic leaf division | | | 500 – 1425 | |
| Fixed leaf division | | | 500 – 1425 | |

Clear passage

Page 54

Fixed glazings

Page 55

Design variations

F30 / G30 Steel Fire and Smoke Protection Elements S-Line

HL 330 S, G 300 S

Fixed glazings

Main functions

F30

Fire-retarding
HL 330 S

G30

Fire-retarding
G 300 S

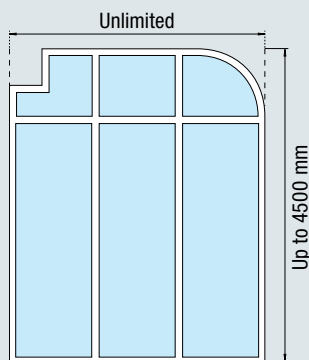
RS

Smoke-tight

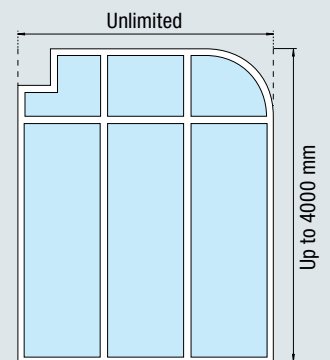
dB

Acoustic-rated
Acoustic values
43 dB (HL 330 S)
31 dB (G 300 S)

HL 330 S



G 300 S



HL 330 S

G 300 S

| | | |
|------------------------------|---------------|---------------|
| Version | Fixed glazing | Fixed glazing |
| Profile system | Steel S-Line | Steel S-Line |
| Viewed width | 65 | 65 |
| Depth | 60 | 60 |
| Bottom section height | 76 | 76 |
| Fitting in | | |
| Brickwork | ≥ 115 | ≥ 115 |
| Concrete | ≥ 100 | ≥ 100 |
| Gas concrete | ≥ 150 | ≥ 150 |
| Partition wall | ≥ 100 | ≥ 100 |

Wall requirements based on size can be found in the fitting instructions at www.hoermann.com

| Size range | HL 330 S | | G 300 S | |
|--|-----------|--------|-----------|---------------|
| | Width | Height | Width | Height |
| With fascia frame | | | | |
| Overall frame dimension (ordering size) | Unlimited | 4500 | Unlimited | 4000 |
| Maximum door height* | | 3001 | | Not available |

* For combination of door (HL 310 S, HL 320 S) and fixed glazing (HL 330 S, G 300 S)

All dimensions in mm

Drägerwerk AG, Lübeck

Architect: Goetz Hootz Castorph Architekten und Stadtplaner, Munich



Hörmann products

- T30 fire-rated and smoke-tight doors HL 310, HL 320, HL 330
- Steel smoke-tight doors S / RS 100, S/RS 200, S/RS 300
- T30 Fire-rated doors H3, H3D
- T90 Fire-rated doors H16
- Classic rolling grille HG-S

Steel Smoke Protection Elements S-Line

S / RS 100 S, S / RS 200 S, S / RS 300 S

Single and double-leaf doors, fixed glazing

Main functions

RS

Smoke-tight

dB

Acoustic-rated

Acoustic values from 32 – 42 dB

Additional function

TRAV

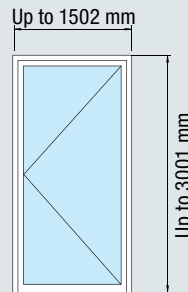
Anti-fall safeguard glazing

RC 2

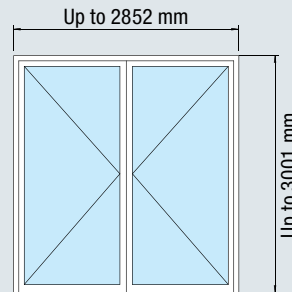
Break-in-resistant

S / RS 100 S up to 1500 × 2800 mm
S / RS 200 S up to 2850 × 2800 mm

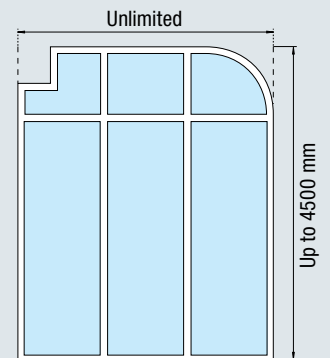
S / RS 100 S



S / RS 200 S



S / RS 300 S



| | S / RS 100 S | S / RS 200 S | S / RS 300 S |
|------------------------------|------------------|------------------|---------------|
| Version | Single-leaf door | Double-leaf door | Fixed glazing |
| Profile system | Steel S-Line | Steel S-Line | Steel S-Line |
| Viewed width | 134 | 134 | 65 |
| Depth | 60 | 60 | 60 |
| Bottom section height | 76 | 76 | 76 |
| Fitting in | | | |
| Brickwork | ≥ 115 | ≥ 115 | ≥ 115 |
| Concrete | ≥ 100 | ≥ 100 | ≥ 100 |
| Gas concrete | ≥ 100 | ≥ 100 | ≥ 100 |
| Partition wall | ≥ 100 | ≥ 100 | ≥ 100 |

Wall requirements based on size can be found in the fitting instructions at www.hoermann.com

| Size range | S / RS 100 S | | S / RS 200 S | |
|--|--------------|-------------|--------------|-------------|
| | Width | Height | Width | Height |
| With fascia frame | | | | |
| Overall frame dimension (ordering size) | 567 – 1502 | 1721 – 3001 | 1317 – 2852 | 1721 – 3001 |
| Clear passage | 387 – 1322 | 1656 – 2936 | 1087 – 2622 | 1656 – 2936 |
| With steel frame | | | | |
| Nominal size (ordering size) | 499 – 1432 | 1706 – 2967 | 1249 – 2784 | 1706 – 2967 |
| Clear passage | 385 – 1318 | 1674 – 2935 | 1085 – 2620 | 1674 – 2935 |
| Traffic leaf division | | | 500 – 1425 | |
| Fixed leaf division | | | 500 – 1425 | |

| Size range | S / RS 300 S | |
|--|---|--------|
| | Width | Height |
| Overall frame dimension (ordering size) | Unlimited | 4500 |
| Maximum door height* | | 3001 |
| TRAV | | |
| Max. element size | Unlimited | 4500 |
| Min. pane size | 800 | 1000 |
| Max. pane size | Depending on glass type according to table 2 TRAV | |

* For combination of door (S / RS 100 S, S / RS 200 S) and fixed glazing (S / RS 300 S)

Clear passage Page 54
Fixed glazings Page 55
Design variations

T30 Steel Fire and Smoke Protection Elements N-Line

HL 310, HL 320

Single and double-leaf doors

Main functions

T30

Fire-retarding

RS

Smoke-tight

dB

Acoustic-rated

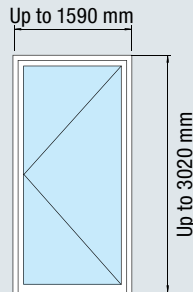
Acoustic values from 34 – 42 dB

RC 2

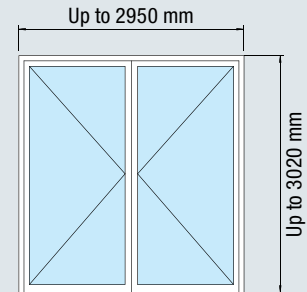
Break-in-resistant

HL 310 up to 1540 × 2820 mm
HL 320 up to 2940 × 2820 mm

HL 310



HL 320



HL 310

Version Single-leaf door

Profile system Steel N-Line

Viewed width 168

Depth 60

Bottom section height 84 / 150

HL 320

Version Double-leaf door

Profile system Steel N-Line

Viewed width 168

Depth 60

Bottom section height 84 / 150

Fitting in

| | HL 310 | HL 320 |
|----------------|--------|--------|
| Brickwork | ≥ 115 | ≥ 115 |
| Concrete | ≥ 100 | ≥ 100 |
| Gas concrete | ≥ 150 | ≥ 150 |
| Partition wall | ≥ 100 | ≥ 100 |

Wall requirements based on size can be found in the fitting instructions at www.hoermann.com

| Size range | HL 310 | | HL 320 | |
|---|------------|-------------|-------------|-------------|
| | Width | Height | Width | Height |
| With fascia frame | | | | |
| Overall frame dimension (ordering size) | 605 – 1590 | 1740 – 3020 | 1355 – 2950 | 1740 – 3020 |
| Clear passage | 387 – 1372 | 1656 – 2936 | 1087 – 2682 | 1656 – 2936 |
| With steel frame | | | | |
| Nominal size (ordering size) | 499 – 1485 | 1687 – 2278 | 1249 – 2844 | 1687 – 2278 |
| Clear passage | 385 – 1371 | 1655 – 2246 | 1085 – 2680 | 1655 – 2246 |
| Traffic leaf division | | | 500 – 1445 | |
| Fixed leaf division | | | 500 – 1445 | |

Clear passage

Page 54

Fixed glazings

Page 55

Design variations

F30 / G30 Steel Fire and Smoke Protection Elements N-Line HL 330, G 300

Fixed glazings

Main functions

F30

Fire-retarding
HL 330

G30

Fire-retarding
G 300

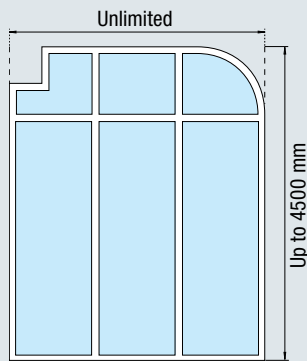
RS

Smoke-tight

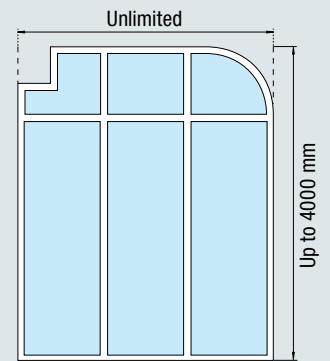
dB

Acoustic-rated
Acoustic values
43 dB (HL 330)
31 dB (G 300)

HL 330



G 300



HL 330

| | |
|------------------------------|---------------|
| Version | Fixed glazing |
| Profile system | Steel N-Line |
| Viewed width | 84 |
| Depth | 60 |
| Bottom section height | 84 / 150 |

G 300

| | |
|------------------------------|---------------|
| Version | Fixed glazing |
| Profile system | Steel N-Line |
| Viewed width | 84 |
| Depth | 60 |
| Bottom section height | 84 / 150 |

Fitting in

| | | |
|----------------|-------|-------|
| Brickwork | ≥ 115 | ≥ 115 |
| Concrete | ≥ 100 | ≥ 100 |
| Gas concrete | ≥ 150 | ≥ 150 |
| Partition wall | ≥ 100 | ≥ 100 |

Wall requirements based on size can be found in the fitting instructions at www.hoermann.com

| Size range | HL 330 | | G 300 | |
|--|-----------|--------|-----------|---------------|
| | Width | Height | Width | Height |
| With fascia frame | | | | |
| Overall frame dimension (ordering size) | Unlimited | 4500 | Unlimited | 4000 |
| Maximum door height* | | 3020 | | Not available |

* For combination of door (HL 310, HL 320) and fixed glazing (HL 330)

University Medical Centre Hamburg-Eppendorf
Architect: Nickl & Partner Architekten AG, Munich, Berlin



Hörmann products

- T30 steel fire-rated and smoke-tight doors HL 310 / HL 320, partial automatic operation
- T30 steel fire-rated and smoke-tight glazing HL 330 S
- Steel smoke-tight doors S / RS 100
- Steel smoke-tight glazing S / RS 300

Steel Smoke Protection Elements N-Line

S / RS 100, S / RS 200, S / RS 300

Single and double-leaf doors, fixed glazing

Main functions

RS

Smoke-tight

dB

Acoustic-rated

Acoustic values from 32 – 42 dB

Additional function

TRAV

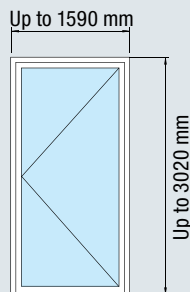
Anti-fall safeguard glazing

RC 2

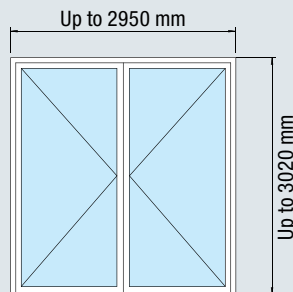
Break-in-resistant

S / RS 100 up to 1540 × 2820 mm
S / RS 200 up to 2940 × 2820 mm

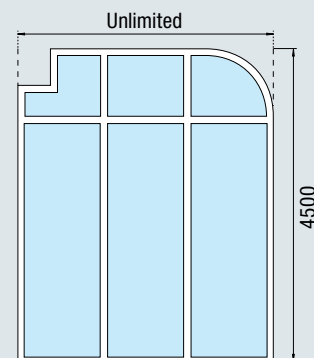
S / RS 100



S / RS 200



S / RS 300



| | S / RS 100 | S / RS 200 | S / RS 300 |
|------------------------------|------------------|------------------|---------------|
| Version | Single-leaf door | Double-leaf door | Fixed glazing |
| Profile system | Steel N-Line | Steel N-Line | Steel N-Line |
| Viewed width | 168 | 168 | 84 |
| Depth | 60 | 60 | 60 |
| Bottom section height | 84 / 150 | 84 / 150 | 84 / 150 |
| Fitting in | | | |
| Brickwork | ≥ 115 | ≥ 115 | ≥ 115 |
| Concrete | ≥ 100 | ≥ 100 | ≥ 100 |
| Gas concrete | ≥ 150 | ≥ 150 | ≥ 150 |
| Partition wall | ≥ 100 | ≥ 100 | ≥ 100 |

Wall requirements based on size can be found in the fitting instructions at www.hoermann.com

| Size range | S / RS 100 | | S / RS 200 | |
|--|------------|-------------|-------------|-------------|
| | Width | Height | Width | Height |
| With fascia frame | | | | |
| Overall frame dimension (ordering size) | 605 – 1590 | 1740 – 3020 | 1355 – 2950 | 1740 – 3020 |
| Clear passage | 387 – 1372 | 1656 – 2936 | 1087 – 2682 | 1656 – 2936 |
| With steel frame | | | | |
| Nominal size (ordering size) | 499 – 1432 | 1706 – 2967 | 1249 – 2784 | 1706 – 2967 |
| Clear passage | 385 – 1318 | 1674 – 2935 | 1085 – 2620 | 1674 – 2935 |
| Traffic leaf division | | | 500 – 1445 | |
| Fixed leaf division | | | 500 – 1445 | |

| Size range | S / RS 300 | |
|--|--|--------|
| | Width | Height |
| Overall frame dimension (ordering size) | Unlimited | 4500 |
| Maximum door height* | | 3020 |
| TRAV | | |
| Max. element size | Unlimited | 4500 |
| Min. pane size | 800 | 1000 |
| Max. pane size | Depending on glass type according to table 2 | |

* For combination of door (S / RS 100, S / RS 200) and fixed glazing (S / RS 300)

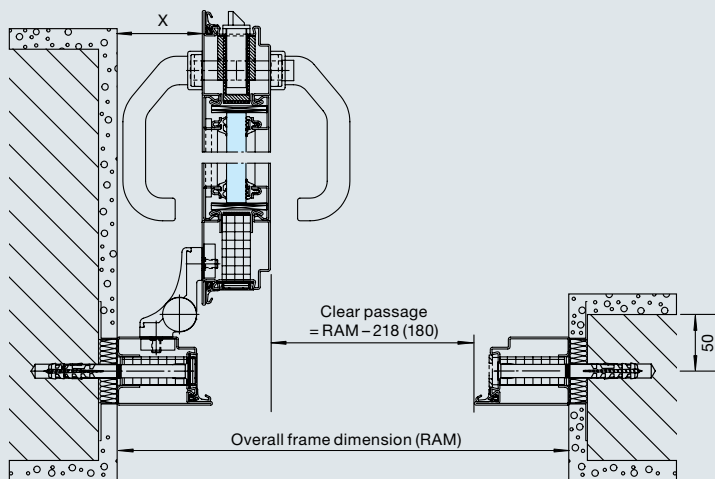
Clear Passage Page 54
Fixed glazings Page 55
Design variations

Clear passage

With door leaf opened by 90° and without fittings

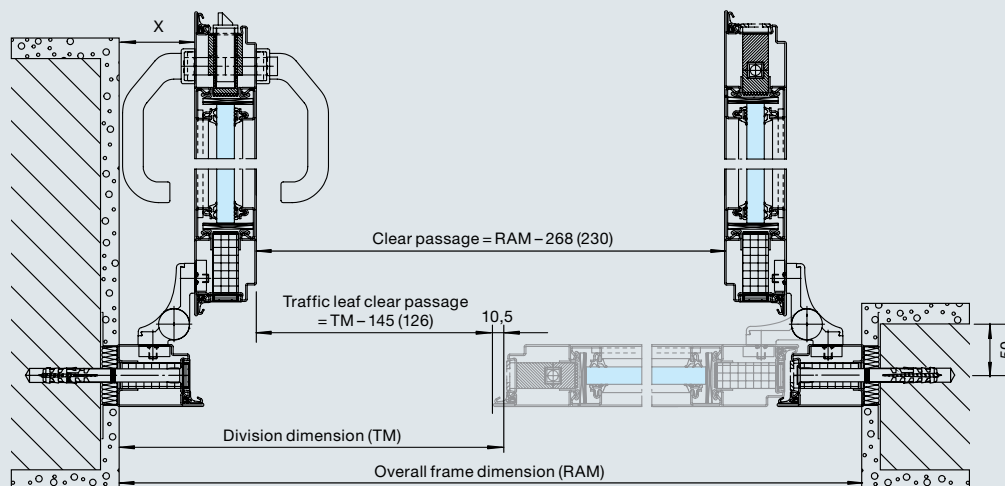
Single-leaf door

View of T30 steel fire-rated and smoke-tight door N-Line, single-leaf with 3-way adjustable hinges with pivot point 20 mm. (S-Line)



Double-leaf door

View of T30 steel fire-rated and smoke-tight door N-Line, double-leaf with 3-way adjustable hinges with pivot point 20 mm. (S-Line)



S-Line

| Hinge system | Single-leaf door | Double-leaf door, overall | Double-leaf door, traffic leaf | Distance leaf / wall (x) |
|---|------------------|---------------------------|--------------------------------|--------------------------|
| 3-way adjustable hinge, pivot point 20 mm | RAM - 180 | RAM - 230 | Division dimension - 126 | 56 |
| 3-way adjustable hinge, pivot point 36 mm | RAM - 196 | RAM - 262 | Division dimension - 142 | 72 |
| Guide roller, pivot point 12 mm | RAM - 179 | RAM - 227 | Division dimension - 125 | 54 |
| Concealed hinge, pivot point 9.5 mm | RAM - 140 | RAM - 150 | Division dimension - 85 | 15 |

N-Line

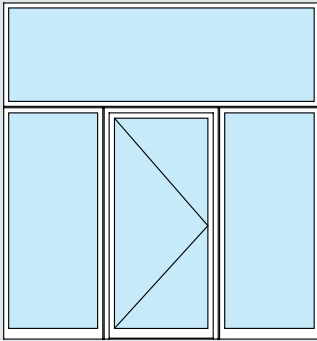
| Hinge system | Single-leaf door | Double-leaf door, overall | Double-leaf door, traffic leaf | Distance leaf / wall (x) |
|---|------------------|---------------------------|--------------------------------|--------------------------|
| 3-way adjustable hinge, pivot point 20 mm | RAM - 218 | RAM - 268 | Division dimension - 145 | 75 |
| 3-way adjustable hinge, pivot point 36 mm | RAM - 234 | RAM - 300 | Division dimension - 161 | 91 |
| Guide roller, pivot point 12 mm | RAM - 215 | RAM - 262 | Division dimension - 142 | 71 |
| Concealed hinge, pivot point 9.5 mm | RAM - 178 | RAM - 188 | Division dimension - 104 | 34 |

Fixed Glazings

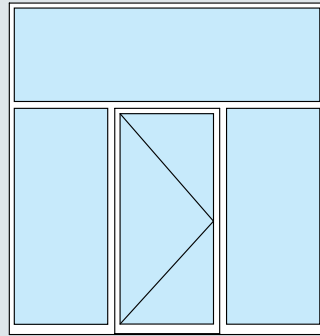
Design variations

Hörmann aluminium fire-rated doors are available either as a coupling construction for simple connection on location, or as complete elements with a vertical / horizontal profile construction. Thus they can be easily matched to the fitting situation at the construction site.

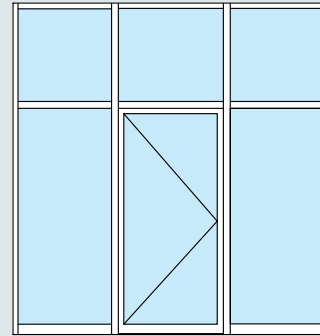
With the Hörmann plug-in system, the slim vertical/horizontal profile construction can also be assembled into walls of any size.



Coupling construction

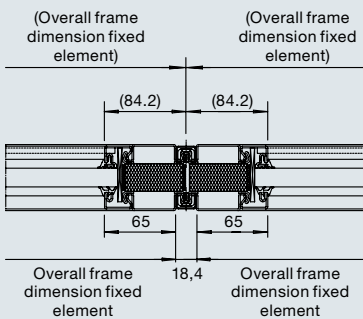


Vertical / horizontal profile construction as a complete element

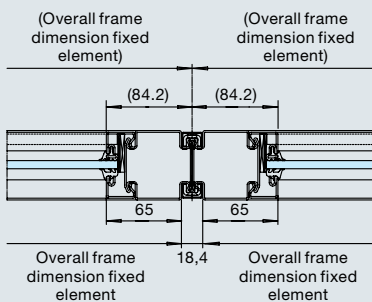


Vertical / horizontal profile construction as a plug-in system

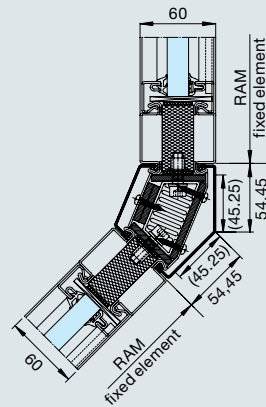
Coupling construction variants



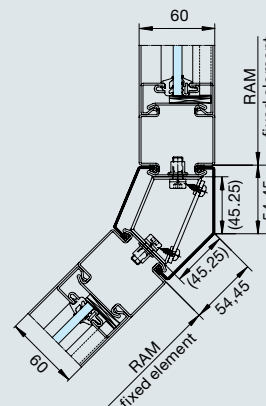
Steel S-Line F30 180° coupling (N-Line)



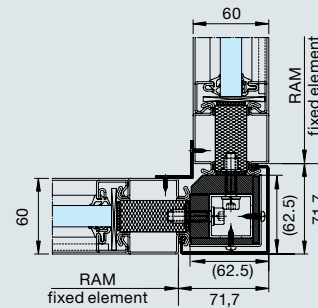
Steel S-Line RS / G30 180° coupling (N-Line)



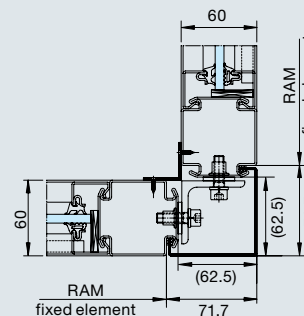
Steel S-Line F30 135° coupling (N-Line)



Steel S-Line RS / G30 135° coupling (N-Line)



Steel S-Line F30 90° coupling (N-Line)



Steel S-Line RS / G30 90° coupling (N-Line)

All dimensions in mm

T90 / F90 Steel Fire and Smoke Protection Elements HL 910 H, HL 920 H, HL 930 H

Single and double-leaf doors, fixed glazing



Main functions

T90

Fire-proof
HL 910 H
HL 920 H

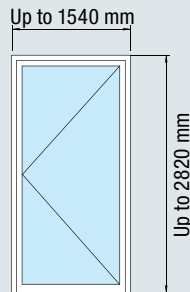
F90

Fire-proof
HL 930 H

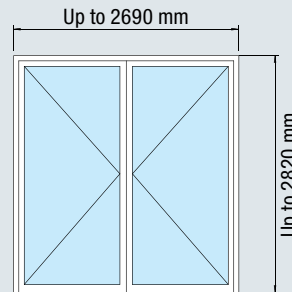
RS

Smoke-tight

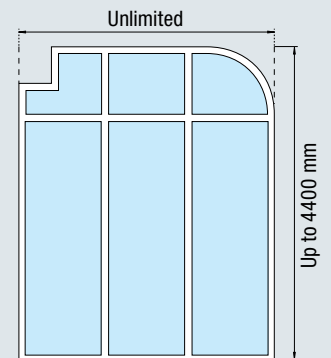
HL 910 H



HL 920 H



HL 930 H



| | HL 910 H | HL 920 H | HL 930 H |
|------------------------------|------------------|------------------|---------------|
| Version | Single-leaf door | Double-leaf door | Fixed glazing |
| Profile system | Steel | Steel | Steel |
| Viewed frame width | 70 | 70 | 70 |
| Depth | 70 | 70 | 70 |
| Bottom section height | 90 | 90 | 90 |
| Fitting in | | | |
| Brickwork | ≥ 175 | ≥ 175 | ≥ 175* |
| Concrete | ≥ 140 | ≥ 140 | ≥ 140 |
| Gas concrete | ≥ 175 | ≥ 175 | ≥ 175 |
| Partition wall | ≥ 100 | ≥ 100 | ≥ 100 |

Wall requirements based on size can be found in the fitting instructions at www.hoermann.com

* Overall frame dimension height > 2600 mm: minimum wall thickness ≥ 240 mm

| Size range | HL 910 H | | HL 920 H | |
|--|------------|-------------|-------------|-------------|
| | Width | Height | Width | Height |
| With fascia frame | | | | |
| Overall frame dimension (ordering size) | 740 – 1540 | 1740 – 2900 | 1355 – 2850 | 1740 – 2900 |
| Clear Passage | 600 – 1400 | 1670 – 2750 | 1215 – 2550 | 1670 – 2750 |

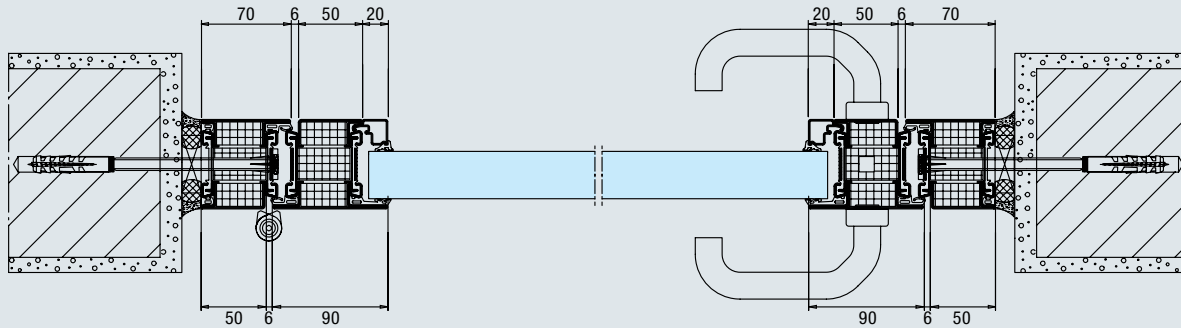
| Size range | HL 930 H | |
|--|-----------|--------|
| | Width | Height |
| Overall frame dimension (ordering size) | Unlimited | 4400** |
| Maximum door height** | | 2764 |

** For combination door (HL 910 H, HL 920 H) and fixed glazing (HL 930 H)

T90 / F90 Steel Fire and Smoke Protection Elements

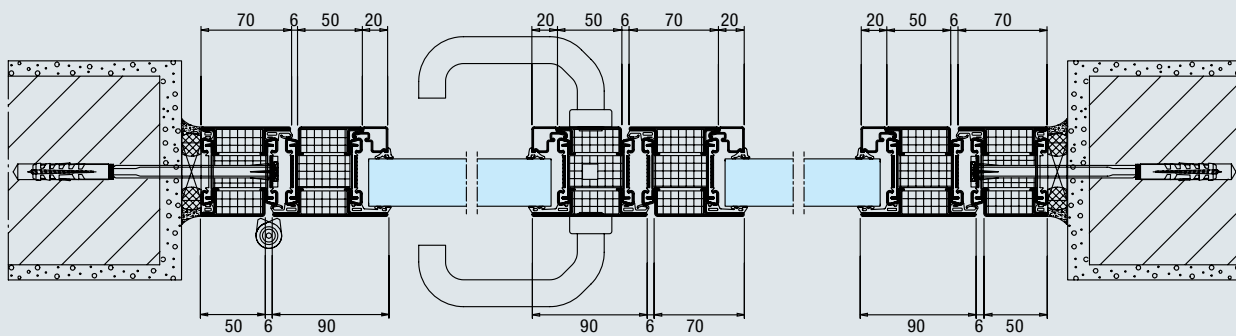
System overview

Single-leaf door with fascia frame



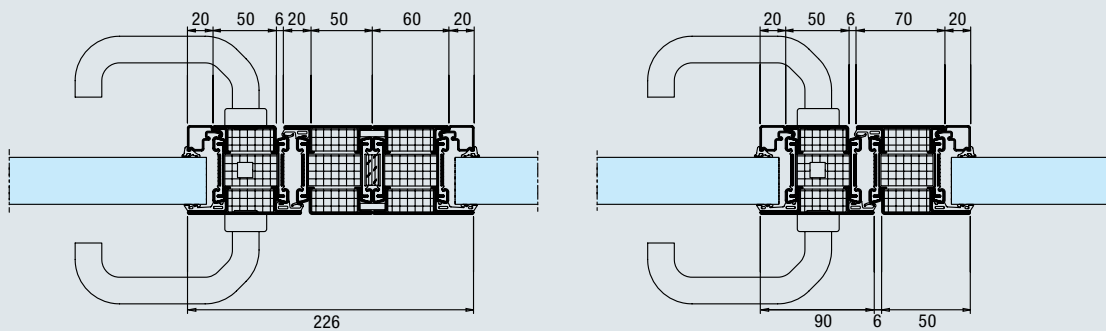
View of T90 steel

Double-leaf door with fascia frame



View of T90 steel

Fixed glazing



Door / fixed element coupled

Door / fixed element vertical profile construction

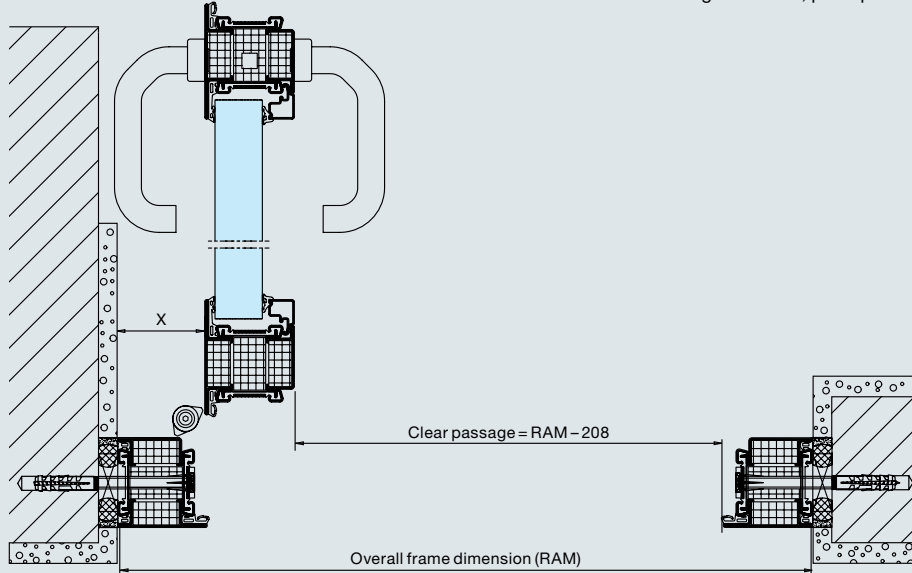
View of T90 steel

Clear passage

With door leaf opened by 90° and without fittings

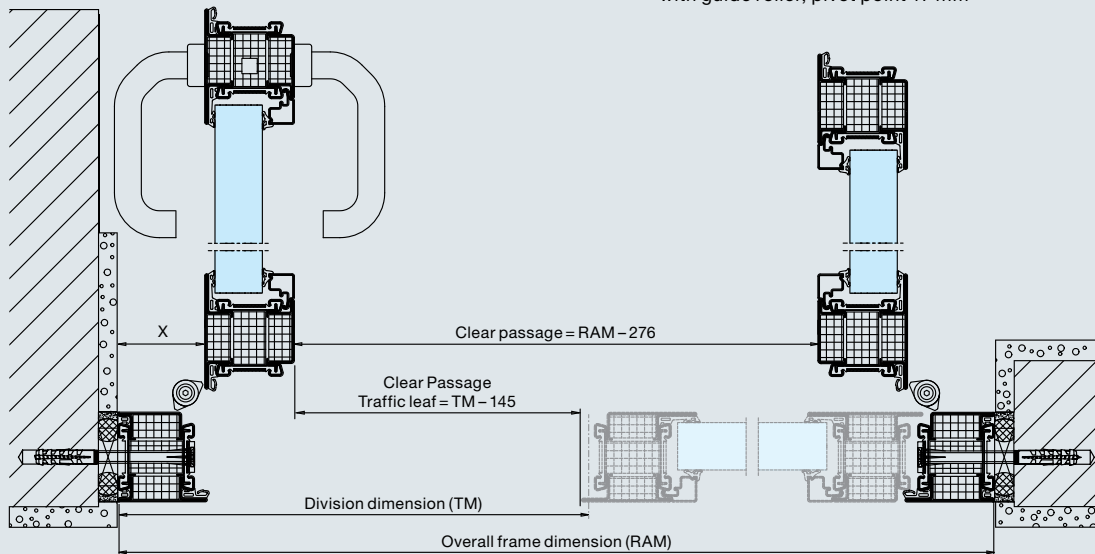
Single-leaf door

View of T90 steel fire-rated and smoke-tight door, single-leaf with guide roller, pivot point 17 mm



Double-leaf door

View of T90 steel fire-rated and smoke-tight door, double-leaf with guide roller, pivot point 17 mm



| Hinge system | Single-leaf door | Double-leaf door, overall | Double-leaf door, traffic leaf | Distance leaf / wall (x) |
|---|------------------|---------------------------|--------------------------------|--------------------------|
| Screw-on hinge rebate, pivot point 14 mm screw-on hinge | RAM - 203 | RAM - 266 | Division dimension - 140 | 63 |
| Guide roller, pivot point 15 mm, fitting by welding | RAM - 208 | RAM - 276 | Division dimension - 145 | 68 |
| Guide roller, pivot point 16 mm, fitting by welding | RAM - 209 | RAM - 278 | Division dimension - 146 | 69 |
| Aluminium hinge, pivot point 20 mm screw-on hinge | RAM - 210 | RAM - 280 | Division dimension - 147 | 70 |
| Aluminium hinge, pivot point 36 mm screw-on hinge | RAM - 226 | RAM - 312 | Division dimension - 163 | 86 |

Special Equipment

For barrier-free construction, an exclusive appearance and increased comfort



Hörmann Door Operator HDO 200 / 300

Perfectly matched system – door and operator from a single source

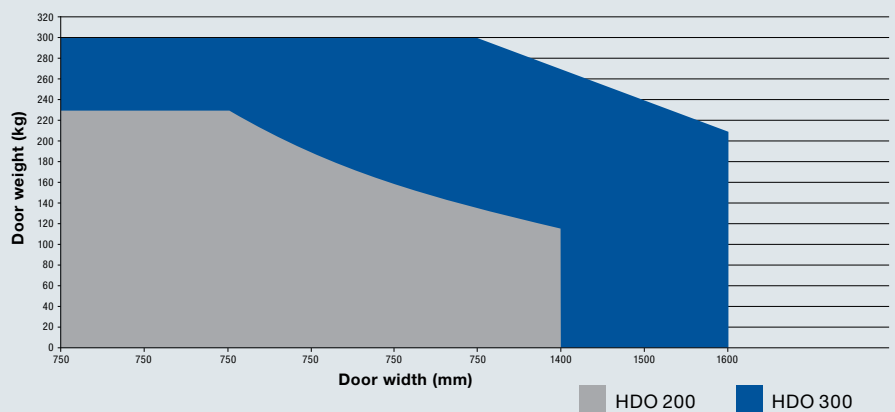


HDO 200 with sensor strip

At a glance:

- With integrated smoke sensor control and sensor slide rail
- Quiet operation, therefore suitable for many applications, e.g. in offices or hospitals
- All door parameters, such as opening and closing speed, end stop and hold open phase are optimally adjustable
- Speed control ensures a uniform opening and closing speed
- Operating modes: “automatic”, “permanently open”, “night”, “closing time”
- Standard push-and-go function, can be turned on and off on request
- Integrated programme switch for “off”, “automatic” and “permanently open”
- Operation via buttons, radar / movement detector, etc.; optionally with BiSecur radio technology for operation with all Hörmann hand transmitters, radio control elements, radio internal push buttons or the BiSecur app
- Optional CAN interface for implementing demanding requirements, e.g. the air lock function
- Can be combined with rescue route systems, access control systems, building services management systems, and RWA air intake solutions

| | HDO 200 | HDO 300 |
|-------------------------|---------------|--|
| Width | 650 mm | 720 mm |
| Height | 70 mm | 70 mm |
| Depth | 121 mm | 130 mm |
| Weight | 9 kg | 11 kg |
| Max. power input | 0.15 kW | 0.15 kW |
| Standby approx. | 1 watt | 1 watt |
| Door width | 750 – 1400 mm | 800 – 1600 mm |
| Door height | Up to 2500 mm | Up to 2500 mm |
| Door weight | Up to 200 kg | 300 kg for a door width of 1400 mm 210 kg for a door width of 1600 mm |



Performance diagram HDO 200 / HDO 300

Do You Have a Specific Requirement?

Then Hörmann is the right partner for you.



Locks

Doors often require special lock functions or anti-panic locks with different functions:

- Change-over function B
- Passage function D
- Anti-panic function E
- Block lock
- Motor lock
- Anti-panic lock, self-locking
- Multiple-point locking, also with panic function



Electrical equipment

In the facility, door systems are often equipped with alarm, escape-route security or access control systems. Various components are available according to your needs:

- Latch contact
- Reed contact
- Electric door strikes
- Escape door opener
- Door lock
- Electronic alarm contact elements
- Concealed electro duct



Emergency exit locks Panic door locks

Specific hardware and lock fittings are stipulated for escape doors according to DIN EN 179 and DIN EN 1125. Hörmann offers you a wide range of equipment variations for your respective needs.

Emergency exit locks according to DIN EN 179

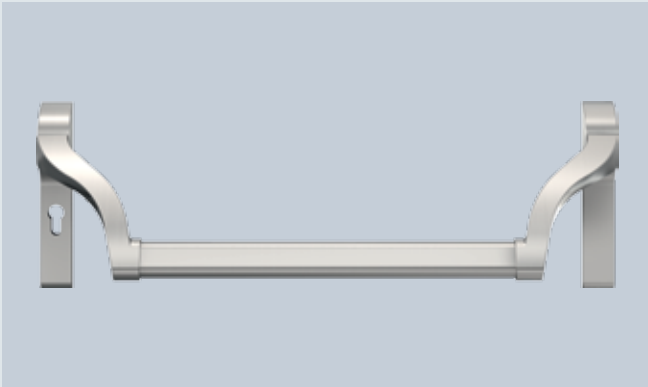
- Fittings in the form of anti-panic or lever/knob handle sets with short or rose escutcheon with matching handles
- Anti-panic lock DIN EN 179
- Self-locking or motorised anti-panic lock

Panic locks according to DIN EN 1125

- Fittings with a push bar or a touch bar combined with a variety of lever handle sets tested acc. to DIN EN 1125
- Anti-panic lock DIN EN 1125 with different functions
- Up to RC 2 (double-leaf) or RC 3 (single-leaf)

Panic Locks / Push Bars

For complete door equipment



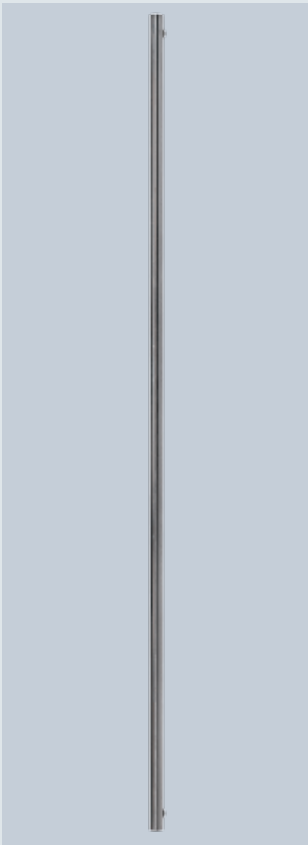
Hörmann push bar

- Largely offset lever arm for use in electronic locking cylinders and for short distances between PC
- Very stable bar handle
- Surface finishes: stainless steel, silver aluminium F1 coated
- Tested in accordance with EN 1125, EN 1634, EN 1191

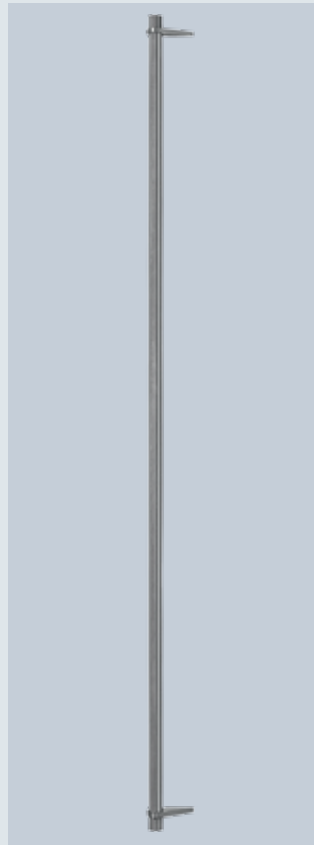


Hörmann touch bar

- Can be used as a locking system acc. to EN 1125
- Surface finishes: stainless steel, aluminium F1, coated
- Tested in accordance with EN 1125, EN 1634



Push bar HOE 810



Push bar HOE 75-2

Hörmann stainless steel push bar HOE 810, up to RAM 2600 mm

With straight support bracket, 33 mm, for vertical fitting

Hörmann stainless steel push bar HOE 75-2, up to RAM 3000 mm

With 2 chamfered support brackets (from 2601 mm height with 3 support brackets), 33 mm, for vertical fitting

Hörmann Overhead Door Closers

The right solution for any requirement



Overhead door closer TS 5000

Doors with compensator function, smoke sensor control or electromechanical hold-open device – Hörmann offers the right overhead door closer with the corresponding equipment for every door situation. The products convince not only when it comes to quality, but also comfort and design.

TS 5000

Slide rail door closer

TS 5000 EC-Line

Slide rail door closer with optimum passage convenience and a high closing force

TS 5000 ISM

Slide rail door closer with integrated door leaf selector for double-leaf doors

TS 5000 E

Slide rail door closer with electromechanical hold-open device

TS 5000 E-FS

Slide rail door closer with compensator function

TS 5000 R

Slide rail door closer with electromagnetic hold-open device and smoke sensor control

TS 5000 R-FS

Slide rail door closer with compensator function and smoke sensor control

TS 5000 E-ISM

Slide rail door closer with electromechanical hold-open device and integrated door leaf selector for double-leaf doors

TS 5000 R-ISM

Slide rail door closer with electromagnetic hold-open device and smoke sensor control and integrated door leaf selector for double-leaf doors



Overhead door closer TS 93 / TS 99

TS 93

Slide rail door closer

TS 93 GSR

Slide rail door closer with door leaf selector and continuous slide rail

TS 93 EMF / EMR

Slide rail door closer with electromagnetic hold-open device and smoke sensor control

TS 93 GSR EMF2

Slide rail door closer with door leaf selector and electromagnetic hold-open device in both leaves

TS 93 GSR EMR2

Slide rail door closer with door leaf selector, electromagnetic hold-open device in both leaves and integrated smoke switch control unit

ITS 96

Integrated slide rail door closer

ITS 96 GSR

Integrated slide rail door closer with door leaf selector

ITS 96 EMF

Integrated slide rail door closer with electromagnetic hold-open device

TS 99 FL

Slide rail door closer with door leaf selector, electromagnetic hold-open device in the fixed leaf and additional compensator function in the traffic leaf

TS 99 FLR

Slide rail door closer with door leaf selector, electromagnetic hold-open device in the fixed leaf and additional compensator function in the traffic leaf and smoke switch control unit



Integrated overhead door closer ITS 96

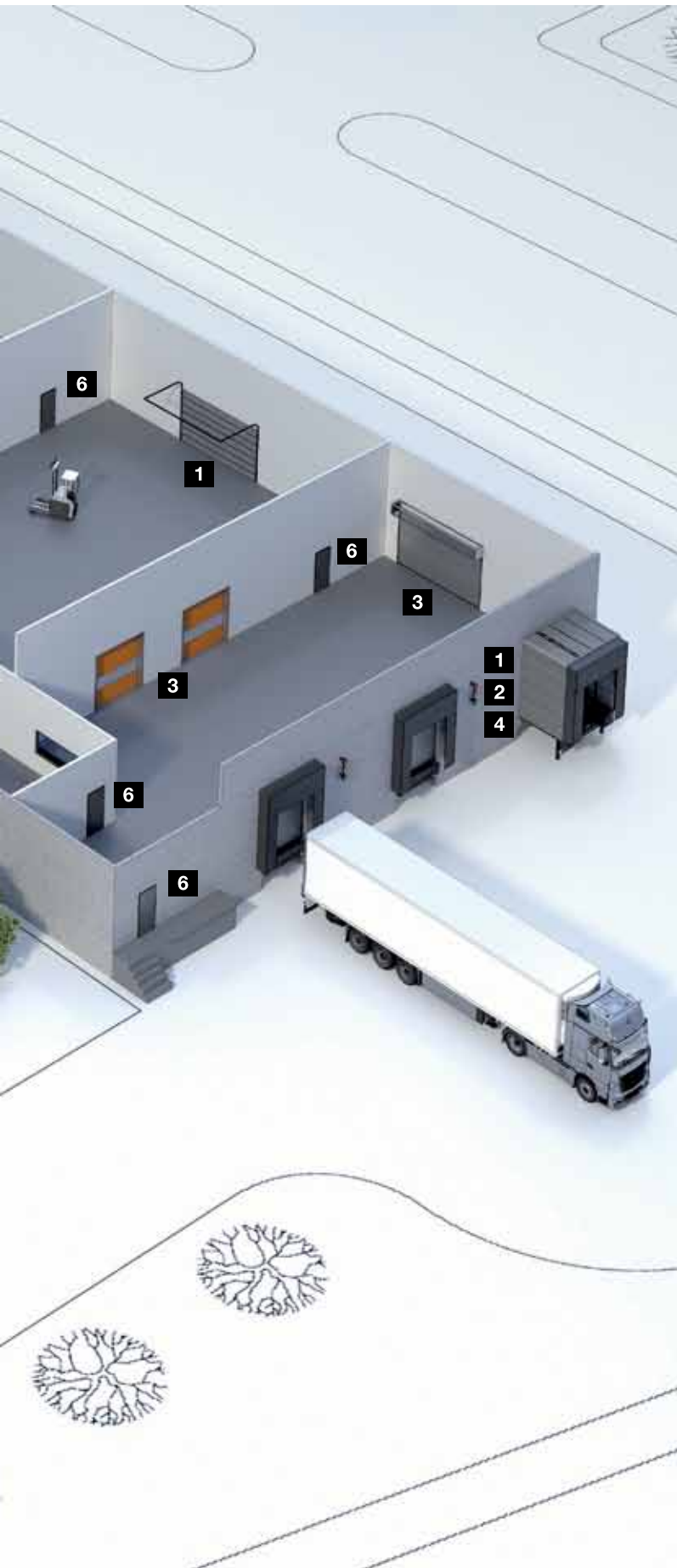
Hörmann Product Range

Everything from a single source for your construction project





Quick service with testing, maintenance and repairs
Our extensive service network means that we are always nearby and at your service around the clock.



Sectional doors



Rolling shutters and rolling grilles



High-speed doors



Loading technology



Steel and stainless steel sliding doors



Steel and aluminium multi-function doors



Steel and stainless steel doors



Steel frames with high-quality timber function doors from Schörghuber



Fully glazed tubular frame parts



Automatic sliding doors



Visibility window



Collective garage doors

Hörmann: Quality without Compromise



Hörmann KG Amshausen, Germany



Hörmann KG Antriebstechnik, Germany



Hörmann KG Brandis, Germany



Hörmann KG Brockhagen, Germany



Hörmann KG Dissen, Germany



Hörmann KG Eckelhausen, Germany



Hörmann KG Freisen, Germany



Hörmann KG Ichttershausen, Germany



Hörmann KG Werne, Germany



Hörmann Alkmaar B.V., Netherlands



Hörmann Legnica Sp. z o.o., Poland



Hörmann Beijing, China



Hörmann Tianjin, China



Hörmann LLC, Montgomery IL, USA



Hörmann Flexon LLC, Burgettstown PA, USA



Shakti Hörmann Ltd., India

Hörmann is the only manufacturer worldwide that offers you a complete range of all major building products from one source. We manufacture in highly-specialised factories using the latest production technologies. The close-meshed network of sales and service companies throughout Europe, and activities in the USA and Asia, make Hörmann your strong partner for first-class building products, offering "Quality without Compromise".

GARAGE DOORS
OPERATORS
INDUSTRIAL DOORS
LOADING EQUIPMENT
HINGED DOORS
DOOR FRAMES

HÖRMANN