



## Steel frames

NEW: Universal trapezoidal anchor for simple fitting to all wall types





- 4 Hörmann brand quality
- 6 Good reasons to try Hörmann
- 8 Residential construction
- 9 Hotels
- 10 Hospitals
- 11 Authorities, offices and public buildings
- 12 Schools and nurseries
- 13 Steel frame HW-SL
- 14 Steel profile frame VarioFix
- 16 Sliding doors
- 18 Individual frame types and sound-absorbing seals
- 20 Lock plates and hinge constructions
- 22 Technical details
- 23 Hörmann product range

The colours and surface finishes shown are subject to the limitations of the printing process and cannot be regarded as binding.

All rights reserved. No part may be reproduced without our prior permission.  
Subject to changes.

◀ Aluminium tubular frame construction project doors with steel frame

# Hörmann brand quality

## Top safety and reliability



EON Head Office, Essen (Germany) with Hörmann products



### In-house product development

Frame functions necessitate continuous new developments and improvements in construction and equipment. In this area, our qualified development teams time and again prove their great specialised expertise. Hörmann has continued to extend its steel frame programme, resulting in today's complete range.



### Highly sophisticated production methods

Hörmann relies on state-of-the-art production technology at highly specialised factories. Computer-controlled operations ensure dimensionally accurate frame elements with precise fittings and functional parts. As a part of quality, environmental, energy and occupational safety management, Hörmann frames are manufactured in accordance with DIN EN ISO 9001, 14001, 50001 and BS OHSAS 18001. These are necessary prerequisites for optimum and individual project solutions.



As Europe's leading manufacturer of doors, operators and frames, we are committed to high product and service quality. This is how we set standards on an international scale.

Highly-specialised factories develop and manufacture construction components that are marked by excellent quality, functional safety and a long service life.

Our presence in the global economy's key regions makes us a strong, future-oriented partner for industrial and public construction projects.



### **Simple planning**

The Hörmann Architects' Program provides faster access to texts for invitation to tenders and drawings (in DWG and PDF format) of over 850 Hörmann products. It is available to you as a web version at [www.hoermann.co.uk/forums/architects-forum/architects-program](http://www.hoermann.co.uk/forums/architects-forum/architects-program) or can be downloaded free-of-charge from the Hörmann Architects' Forum.



### **Expert building support**

Experienced specialists within our customer-oriented sales organisation accompany you from the planning stage, through technical clarification up to the final building inspection. Expert fitting is guaranteed by experienced Hörmann fitters and the specialised trained staff of Hörmann partners.

# Good reasons to try Hörmann

The frame specialist with decades of experience



# 1

**Simple  
and fast fitting**

For the Hörmann **steel profile frame VarioFix**, **wall tolerances of up to 20 mm are no problem:** The adjustable decorative rebate compensates for different wall thicknesses during renovations and new construction projects. As easy to fit as a timber frame, the steel profile frame is additionally distinguished by its long **service life and attractive design**. Only the VarioFix frame offers **high resistance and an elegant shape** without visible foldback coupled with the fitting principle of timber frames.

# 2

**For all  
wall types**

The new, **sturdy universal trapezoidal anchor** with special hole pattern enables the **fitting of frames in all wall types**. Drilling in solid walls or cutting out of plasterboard is not required in the standard sizes. **All double-shell steel frames are equipped with the new universal trapezoidal anchor from the factory.**



# 3

**Highest design demands**

The **frame without face HW-SL** is the design solution for modern interior architecture. The combination of a narrow frame face, integrated door closer and concealed hinges results in a **minimalist door view** and meets the **highest design requirements**.



# 4

**Exclusive glass door view**

The **elegant solution for glass doors** features a flush-fitting view of the frame face and glass door leaf as well as a hinge and locking system. This creates **maximum transparency and an exclusive door view**.

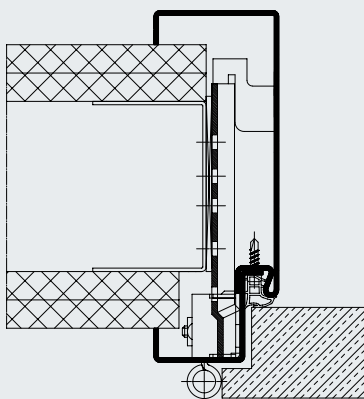
# Residential construction

Secure, easy-to-fit and long-lasting

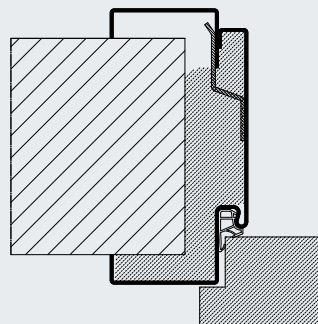


Double-shell frames for all wall types

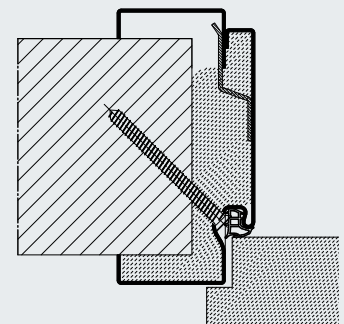
Steel frames are long-lasting, timeless and modern design elements for residential construction. Powdered steel frames impress with the same door view as timber frames. The welded and flush polished corner joints mean that there are no visible mitre cuts. With the double-shell steel profile frame VarioFix, Hörmann offers an innovative solution: The familiar timber frame fitting principle of wall width adjustment in the decorative rebate is now available for steel frames. Further information on the VarioFix can be found on pages 14 to 15.



Double-shell frame without wall width adjustment, rebated



Steel profile frame VarioFix, rebated, with sound-absorbing seal for increased acoustic insulation



Steel profile frame VarioFix, rebated, For Hörmann residential internal doors WAT with RC 2 / RC 3 safety equipment



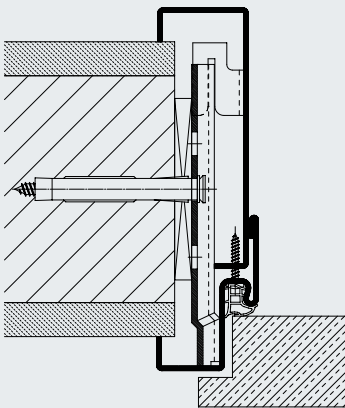
# Hotels

Sturdy and with individual designs

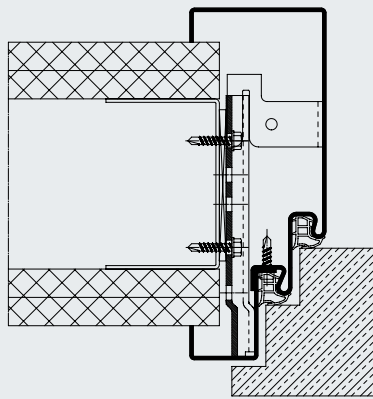


Passages and doors in hotels and B&Bs must withstand the greatest strains. Architectural demands also require individual designs and colours. Hörmann primed, paintable or powder-coated steel frames perfectly fulfil these requirements and are maintenance-free and enduringly resistant to strain.

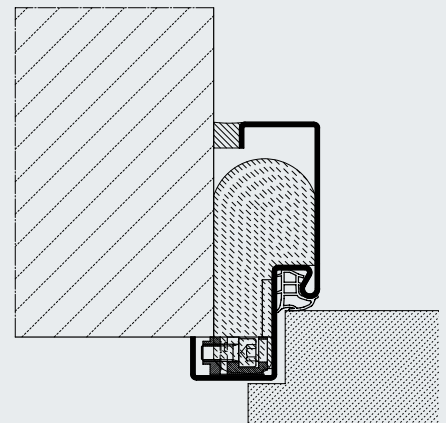
Single-shell and double-shell frame for all wall types



Double-shell frame with wall width adjustment, rebated



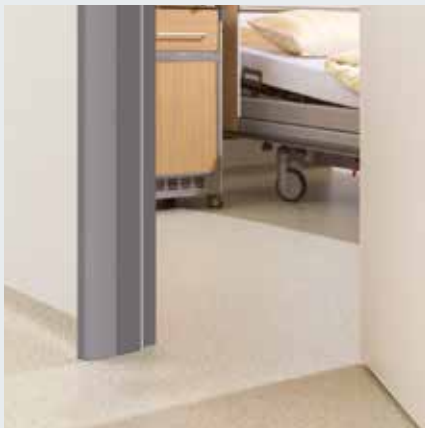
Double-shell frame with double rebate, rebated



**// NEW:** 1-part corner frame without anchor for retrofitting, rebated

# Hospitals

Impact-resistant and easy to clean

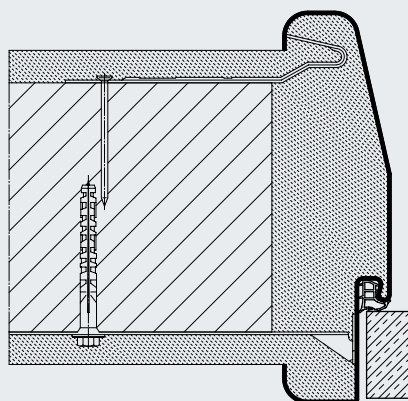


Frame with chamfered reveal

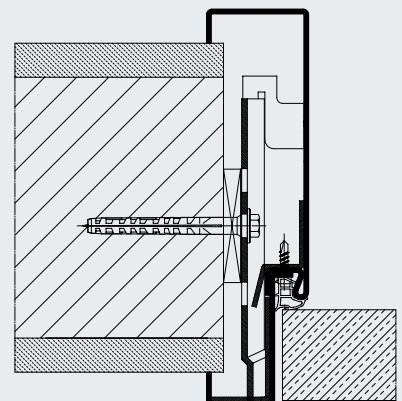
Door frames made of steel are the right solution for diverse, demanding tasks in hospitals. For example, thanks to a larger opening width, frames with a chamfered reveal make it easier to move beds through doorways. Hörmann steel and stainless steel frames meet the efficiency, cleanliness and hygiene requirements found in an everyday clinic environment.



Stainless steel frame



1-part brickwork frame with rounded reveal, flush



Double-shell frame with lead insert, flush

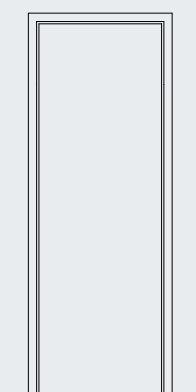
# Authorities, offices and public buildings

## The efficient solution for highly frequented areas

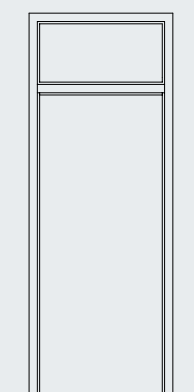
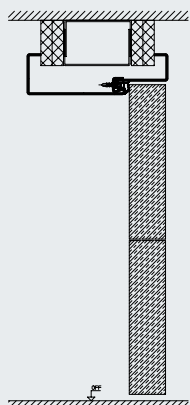


Frame prepared for overhead door closer

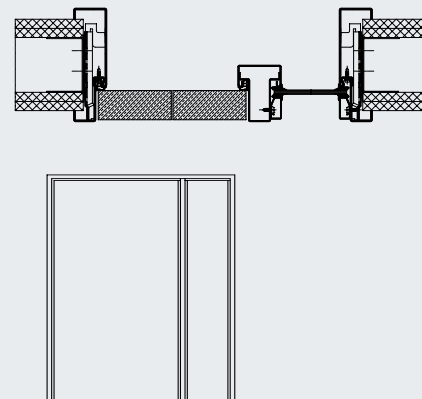
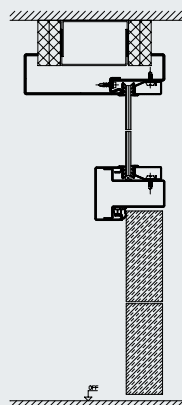
Hörmann has the right frames for high-frequency office areas as well as high demands on robustness and security. Additional side elements and transom lights ensure bright rooms. These pre-assembled frames are also available as a VarioFix frame (see page 14 – 15).



Room-high profile frame



Profile frame with transom light



Profile frame with side element

# Schools and nurseries

For a lower risk of injury

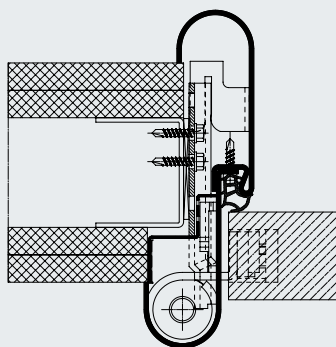


Round-style frame with VR 120 hinge (open)

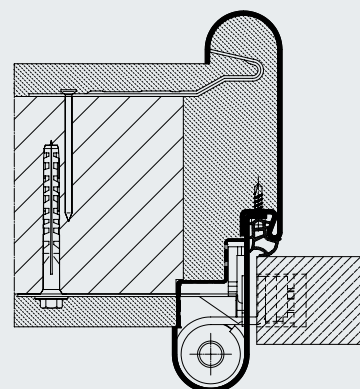


Round-style frame with VR 120 hinge (closed)

Frames for schools and nurseries have especially high safety standards: Hörmann's round-style frame with finger trap protection on the secondary closing edge of the hinge side reduces the danger of crushing or injuries.



Double-shell "round-style VR" frame, flush, for partition walls



Double-shell "round-style VR" frame, flush, for brickwork

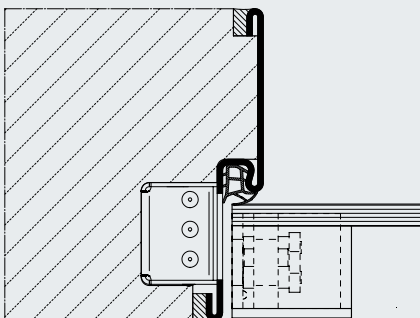
# Steel frame HW-SL

For a flush-fitting appearance

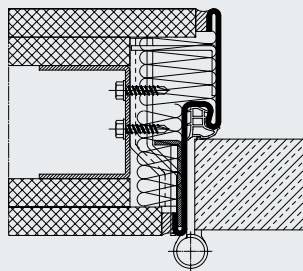


Filigreed guide roller

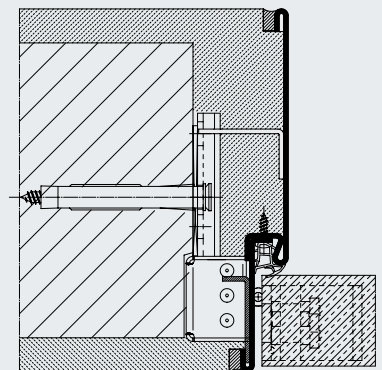
With its narrow frame face, the HW-SL steel frame can be incorporated harmoniously into modern living concepts. With concealed hinges or filigreed guide rollers, it also meets the highest design demands.



**// NEW:** 1-part frame, flush, glass door hinge



1-part frame, flush, for partition walls, hinge system VN 2927 / 160 Compact Planum



Double-shell frame, flush, for brickwork, concealed hinge

# Steel profile frame VarioFix

The robust and elegant alternative to the timber frame



For the Hörmann steel profile frame VarioFix, wall tolerances of up to 20 mm are no problem: The adjustable decorative rebate compensates for different wall thicknesses during renovations and new construction projects. Only the VarioFix frame offers high resistance and an elegant shape coupled with the fitting principle of timber frames. With its aesthetic and modern design, the steel profile frame is suitable for use in both private and commercial spaces.



## High-quality design

In contrast to conventional steel frames, for the VarioFix frame the wall width adjustment is not made in the area visible from outside. This way, **an additional unattractive foldback is avoided**. Furthermore, the corner joints of powder-coated steel frames feature high-quality welding and a flush polish, meaning there are **no visible mitre cuts** in contrast to a timber frame. The **VarioFix frame also harmonises perfectly with other timber frames due to the frame face of 55 mm on both sides**.

The VarioFix frame is available in RAL 9016 and in RAL 9010 at the same price, to match Hörmann residential doors with a Duradecor surface finish. **For a very harmonious frame view, we offer you the version with white sound-absorbing seal as standard**. The frame is also available in RAL to choose at a surcharge. The VarioFix frame can be used with flush or rebated door leaves and can be supplied with concealed hinges and with an elegant stainless steel lock plate on request. As a less expensive alternative, a primed surface with spot-welded mitre corners is also available.

## Simple fitting

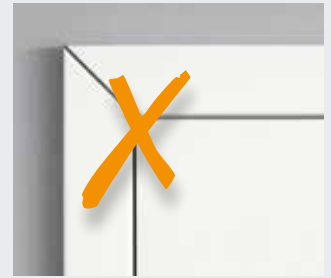
The VarioFix frame can be fitted to all wall types without screws, using 2C foam, like a timber frame. This results in a **time saving of up to 50 %** during fitting. With adjustment in the decorative rebate, **it compensates for wall tolerances of up to 20 mm** (- 5 to + 15 mm). The frame is designed for use in partition walls with glass, timber or steel door leaves up to 50 kg, with an additional adapter on the hinge side up to 80 kg. For solid walls or timber posts, door leaf weights of up to 120 kg can be used, taking into account the hinge system with chamfered fastening.

## Fast delivery times

The VarioFix frame in the primed version and powder-coated in Traffic white RAL 9016 is available within 6 working days or ready for collection from the factory at any time in 48 standard sizes and 6 wall widths. The wall widths 100, 125, 150, 175, 205 and 270 mm are adjusted to fitting in partition walls or brickwork.



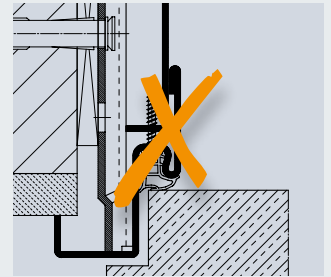
VarioFix frame without visible mitre



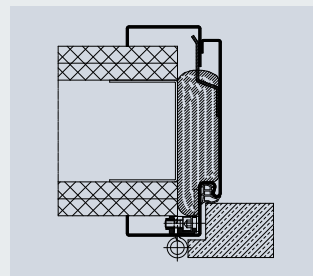
Timber frame with visible mitres



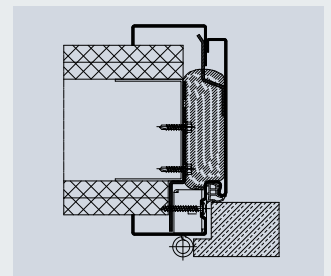
Supplied on request in RAL to choose



An additional unattractive foldback is avoided



Fitting in partition walls, rebated without adapter up to 50 kg door leaf weight



Fitting in partition walls, rebated with adapter up to 80 kg door leaf weight



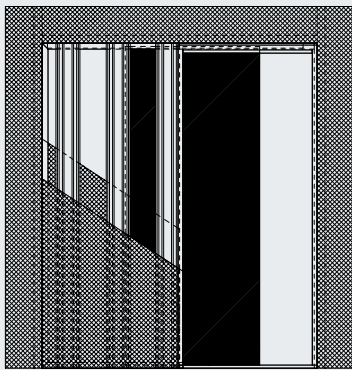
\* Same as steel frames fitted with mortar

\*\* As standard double-shell steel frames

\*\*\* Working days: Monday to Friday with the exception of bank holidays

# Sliding doors

In an exclusive design, running in front of and within the wall

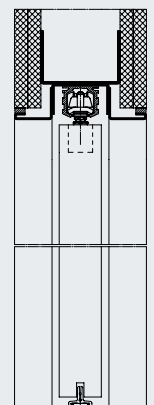


Sliding door, box design with panel

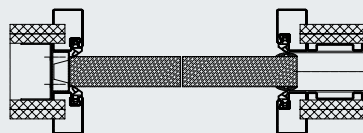
If it comes down to square meters, sliding doors are an ideal solution. The sliding door fitting is long-lasting and moves very easily. Optionally available with a lintel damper on one or both sides and with an operator.

## Applications for frames for sliding doors running within the wall

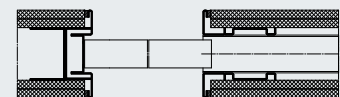
- For all wall types
- For glass and timber doors
- For solid walls with Peridur building slabs as a plaster base made of light and stable rigid foam, joints with reinforcing straps (scope of delivery)
- Sealed with a timber door leaf from wall width 125 mm with acoustic rating class (SK) 2
- With simple cladding for 100 mm wall thickness; double cladding available from a wall thickness of 125 mm



**// NEW:** Sliding door frame HW-SL, box design without panel



Sliding door frame running within the wall, sealed



Sliding door frame HW-SL running within the wall





Sealing profile in the frame for sealed version

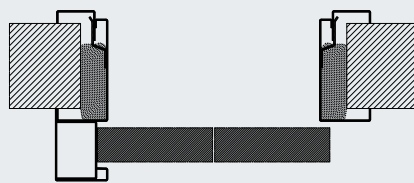


Sliding door frame running in front of the wall, sealed

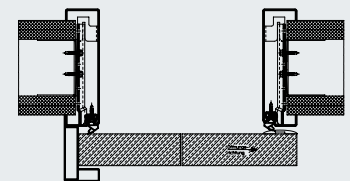
The frame variant for use in tight spaces comes with single-leaf and double-leaf sliding doors. It is particularly suitable for retrofitting as part of modernisation projects.

**Applications for frames for sliding doors running in front of the wall**

- For all wall types
- For glass and timber doors
- For partition walls and solid walls



VarioFix frame for sliding doors running in front of the wall



Sliding door frame running in front of the wall, sealed

# Individual frame types

A broad range for more design possibilities

## Colours and surfaces – to meet all your needs

### Priming

Factory-applied primer ensures optimum protection for the frame and is a good basis for further treatment.

### Final powder coating

Plastic powder coating is characterised by an optimum finish and is characterised by high hardness, high elasticity and resistance to impacts, as well as lasting gloss and colour. On request, it is available in almost all RAL colours.

### Stainless steel versions

Frames made of stainless steel (V2 A / V4 A) are the number one choice when high demands are placed on the resistance of the frame surface to external influences.

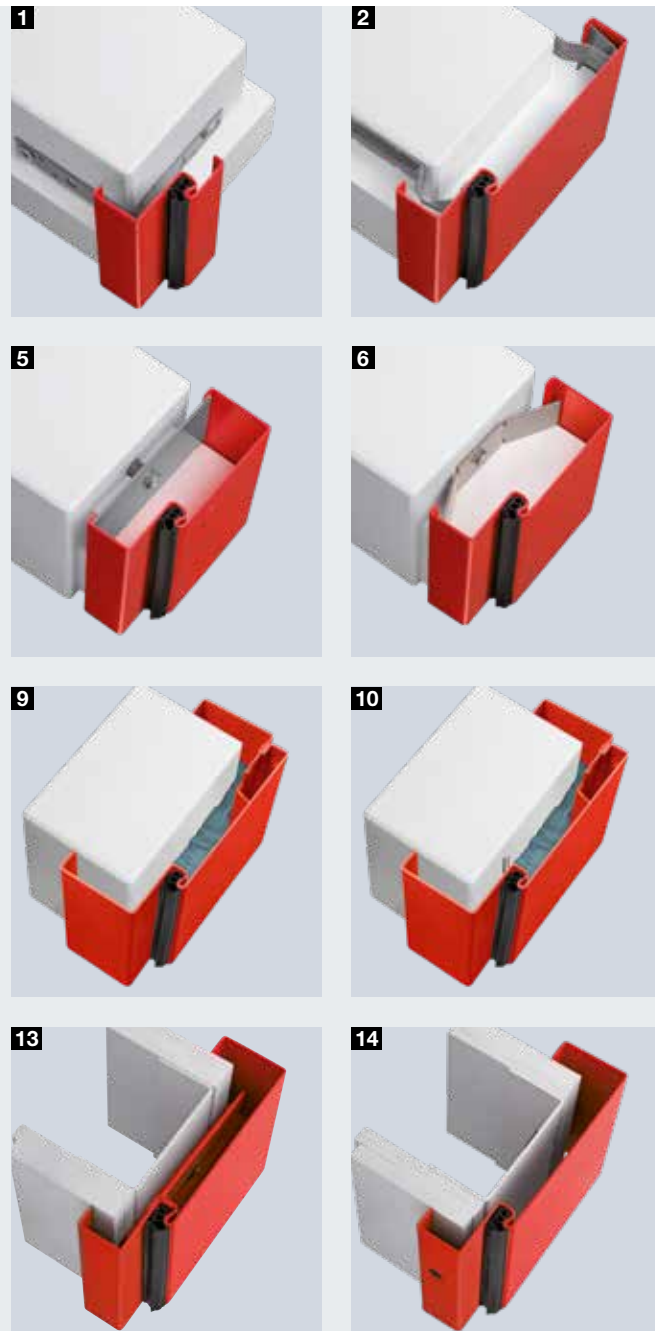
### Safe transport packaging

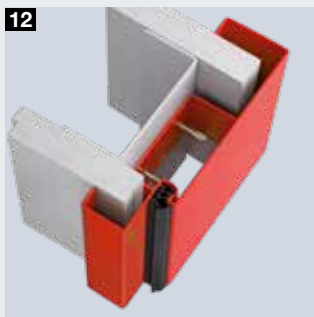
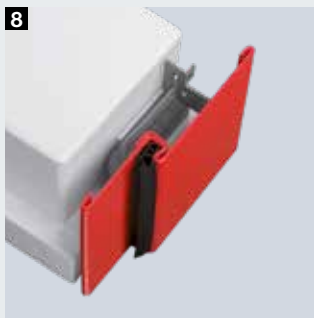
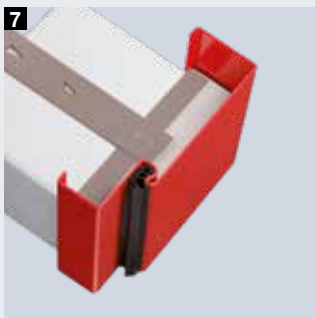
All powdered steel frames are generally delivered in sturdy transport packaging. This consists of cardboard or bubble wrap for individual frames. Several frames are transported lying on pallets.



Example: Individual cardboard packaging

Primed frames to screw or clamp are delivered wrapped in film or optionally in a sturdy and stackable cardboard box. // **NEW**





## Brickwork frames

### Corner frame

- 1** Fitting with nail / grouting lugs

### Profile frames

- 2** Fitting with nail / grouting lugs and quick anchors
- 3** Double-shell for retrofitting, fitting with trapezoidal anchor
- 4** Plug-and-screw fitting and recessed drill holes in the reveal
- 5** Plug-and-screw fitting through the reveal with hole and cover cap
- 6** Fitting with propeller anchor
- 7** Fitting with sliding anchor

### Profile frame HW-SL

- 8** With small viewed width, fitting with trapezoidal anchor

### Profile frame VarioFix

- 9** Double-shell for retrofitting, fitting with 2C foam
- 10** Double-shell for retrofitting, fitting with chamfered screw connection and 2C foam, for Hörmann residential doors WAT with RC 2 / RC 3 security equipment

## Door frames for partition walls

### Corner frame

- 11** For retrofitting, 1-part, fitting with 2C foam // **NEW**

### Profile frames

- 12** Fitting with grouting lugs
- 13** Double-shell for retrofitting, fitting with trapezoidal anchor
- 14** Fitting with recessed drill holes through the frame face

### Profile frame HW-SL

- 15** With small viewed width, fitting with trapezoidal anchor

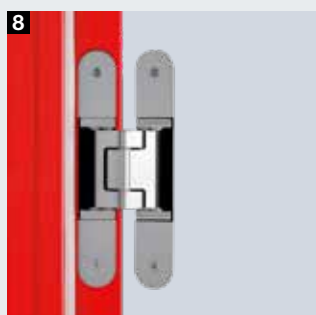
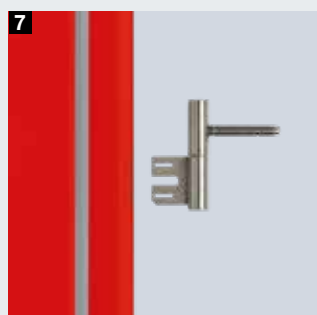
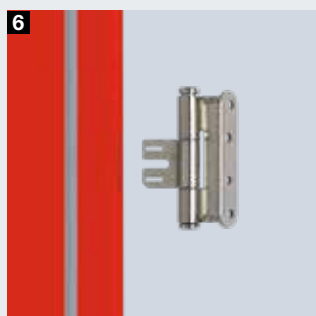
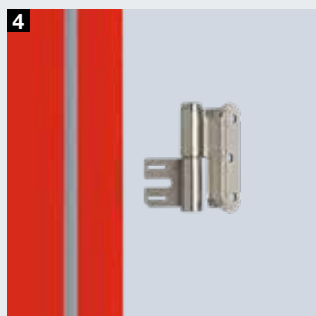
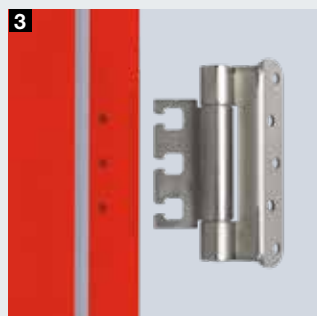
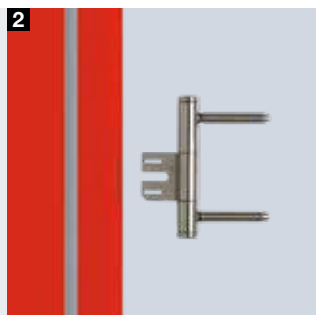
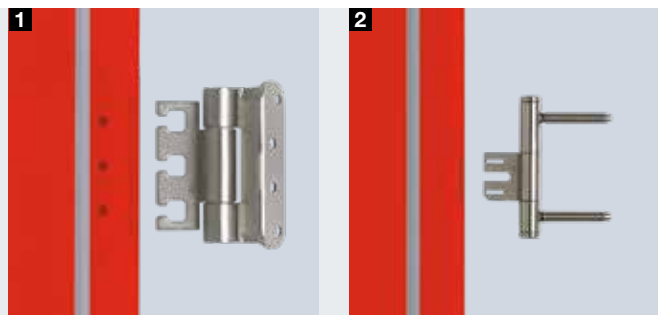
### Profile frame VarioFix

- 16** Double-shell for retrofitting, fitting with 2C foam

# Hinge design

For all demands

**Same hinge systems for brickwork and partition walls, can be fitted by welding or with push-in connectors**



## Hinge systems

When selecting or defining the suitable hinge system, you must take into account all load factors, such as application area, opening frequency, door stop and door closer, as well as the dimensions of the door leaf used.

- 1 VX 7939 / 100**  
(loading capacity up to 100 kg\*)
  - 2 V 8026 WF**  
(loading capacity up to 70 kg\*)
  - 3 VX 7939 / 120**  
(loading capacity up to 120 kg\*)
  - 4 V 8130**  
(loading capacity up to 60 kg\*)
  - 5 VX 7939 / 160**  
(loading capacity up to 160 kg\*)
  - 6 V 8037 WF**  
(loading capacity up to 70 kg\*)
  - 7 V 8120**  
(loading capacity up to 40 kg\*)
  - 8 Concealed hinge**  
Depending on the version, loading capacity from 40 to 180 kg
  - 9 VN 2927 / 160 Compact Planum (HW-SL)**  
Loading capacity up to 100 kg
- VR 120 round-style** (shown on page 12)  
Loading capacity up to 100 kg

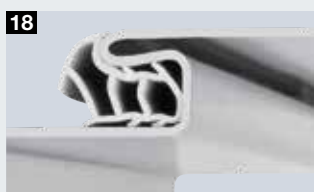
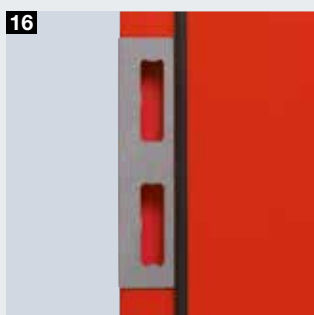
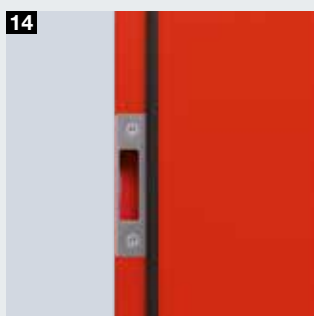
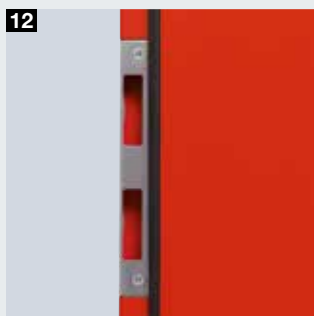
\* **Load values:**

Maximum door leaf weight, taking the load factors into account with a door leaf size of 1000 mm × 2000 mm and using two hinges at a distance of 1435 mm.

Door leaves of up to 60 kg can be fitted if using a standard support element for series V 8000 hinges.

# Lock plates and sound-absorbing seals

For optimum closing



## Lock plates

- 10** V2 A lock plate  
Flush
- 11** Plastic catch protection plate
- 12** V2 A latch lock plate  
Rebated (foldback to frame face)
- 13** V2 A lock plate  
Rebated
- 14** V2 A latch lock plate  
Rebated
- 15** V2 A lock plate  
Flush with catch adjustment, also available in rebated version
- 16** V2 A catch protection plate  
Flush
- 17** V2 A catch protection plate  
Rebated

## Sound-absorbing seals

The high-grade, flexible hollow-chamber sound-absorbing seals are easy to insert. They ensure that doors close snugly with hardly a sound. The standard sound-absorbing seal is available in grey, white and black.

- 16** UPVC sound-absorbing seal  
Standard  
Optional: UPVC-free TPE seal
- 17** UPVC sound-absorbing seal  
For 20 mm rebate width
- 18** UPVC sound-absorbing seal  
For stainless steel frames
- 19** Special sound-absorbing seal  
For higher acoustic insulation (42 dB instead of 35 dB)  
For all frame types

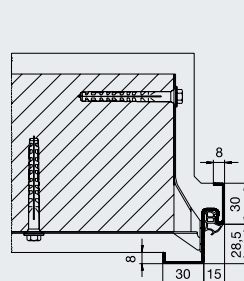
# Technical details

## Standard sizes

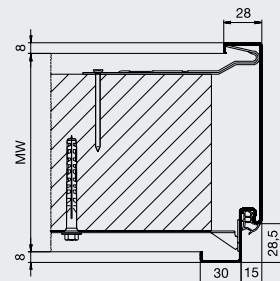
### Corner and profile frames

Nominal size		Frame hold dimension		Clear frame dimension	
Width	Height	Width	Height	Width	Height
625	2000	591	1983	561	1968
750	2000	716	1983	686	1968
875	2000	841	1983	811	1968
1000	2000	966	1983	936	1968
625	2125	591	2108	561	2093
750	2125	716	2108	686	2093
875	2125	841	2108	811	2093
1000	2125	966	2108	936	2093

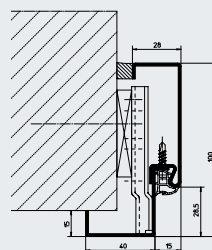
All details in mm,  
nominal size = ordering size



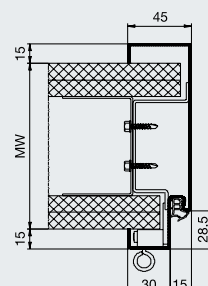
Corner frame for brickwork



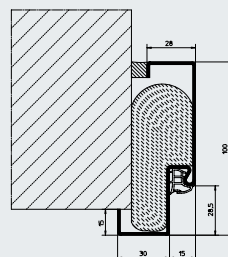
1-part profile frame for brickwork



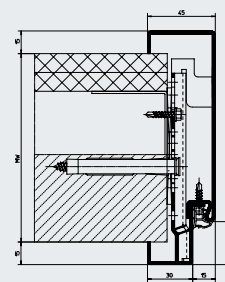
**// NEW:** 1-part corner frame for retrofitting for all wall types



1-part profile frame for partition walls



**// NEW:** Double-shell corner frame for retrofitting for all wall types

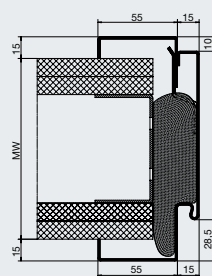


2-part profile frame for all wall types

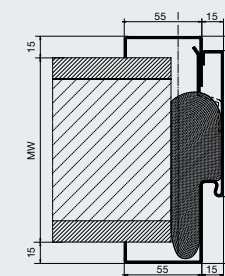
### VarioFix steel profile frame for all wall types

Nominal size		Wall widths MW		Wall thickness compensation / adjustment range	
Width	Height				
625	2000	100 125 150	175 205 270	95 – 115	200 – 220
750	2000			120 – 140	265 – 285
875	2000			145 – 165	
625	2125	100 125 150	175 205 270	95 – 115	200 – 220
750	2125			120 – 140	265 – 285
875	2125			145 – 165	
1000	2125				

All details in mm,  
nominal size = ordering size



Steel profile frame for partition walls



Steel profile frame for brickwork

# Hörmann Product Range

Everything from a single source for your construction project



**Quick service with testing, maintenance and repairs**  
 Our extensive service network means that we are always nearby and at your service around the clock.



**1 Sectional doors**



**2 Rolling shutters and rolling grilles**



**3 High-speed doors**



**4 Loading technology**



**5 Steel and stainless steel sliding doors**



**6 Steel and stainless steel construction project doors**



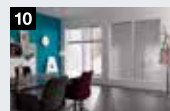
**7 Steel frames with high-quality timber function doors from Schörghuber**



**8 Tubular frame construction project doors**



**9 Automatic sliding doors**



**10 Visibility window**



**11 Collective garage doors**



**12 Bollards and road blockers**



**13 Barrier and pay station systems**

# Hörmann: Quality without Compromise



Hörmann KG Amshausen, Germany



Hörmann KG Antriebstechnik, Germany



Hörmann KG Brandis, Germany



Hörmann KG Brockhagen, Germany



Hörmann KG Dissen, Germany



Hörmann KG Eckelhausen, Germany



Hörmann KG Freisen, Germany



Hörmann KG Ichttershausen, Germany



Hörmann KG Werne, Germany



Hörmann Alkmaar B.V., Netherlands



Hörmann Legnica Sp. z o.o., Poland



Hörmann Beijing, China



Hörmann Tianjin, China



Hörmann LLC, Montgomery IL, USA



Hörmann Flexon LLC, Burgettstown PA, USA



Shakti Hörmann Pvt. Ltd., India

Hörmann is the only manufacturer worldwide that offers you a complete range of all major building products from one source. We manufacture in highly-specialised factories using the latest production technologies. The close-meshed network of sales and service companies throughout Europe, and activities in the USA and Asia, make Hörmann your strong partner for first-class building products, offering “Quality without Compromise”.

**GARAGE DOORS**  
**OPERATORS**  
**INDUSTRIAL DOORS**  
**LOADING EQUIPMENT**  
**HINGED DOORS**  
**DOOR FRAMES**

**HÖRMANN**